

QIBR®

WWW.QIBR.COM

QIBR®

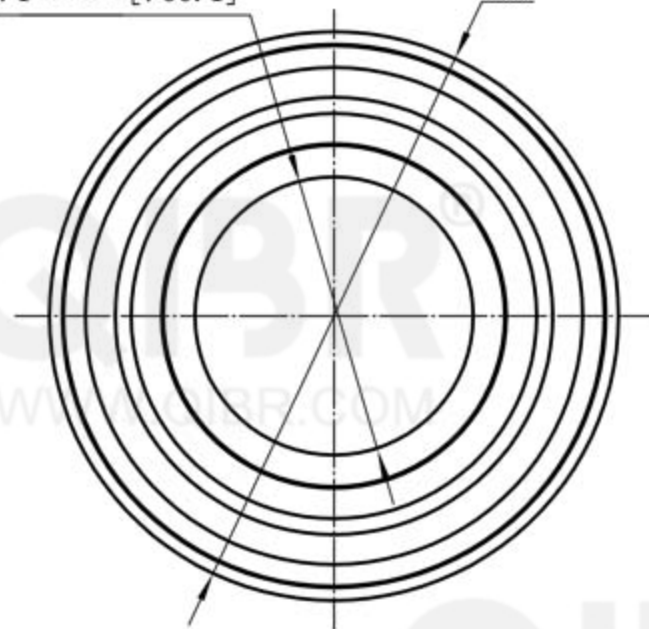
WWW.QIBR.COM

QIBR®

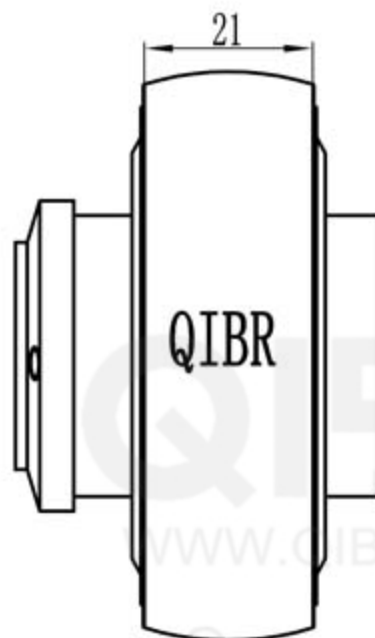
WWW.QIBR.COM

$\phi 1\frac{1}{2}$ inch [$\phi 38.1$]

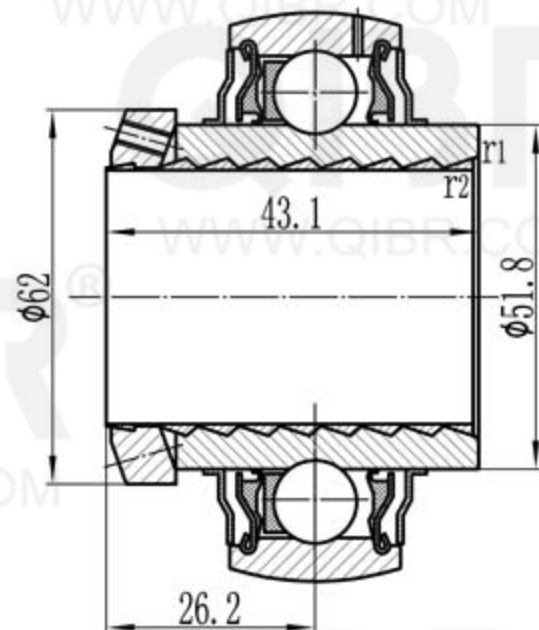
$\phi 80$



21



QIBR



QIBR®
BEARINGS

LUOYANG QIBR BEARING CO., LTD

<http://www.QIBR.com>

INSERT BALL
BEARING

PART NUMBER
QYSP 208-108 SB-2F