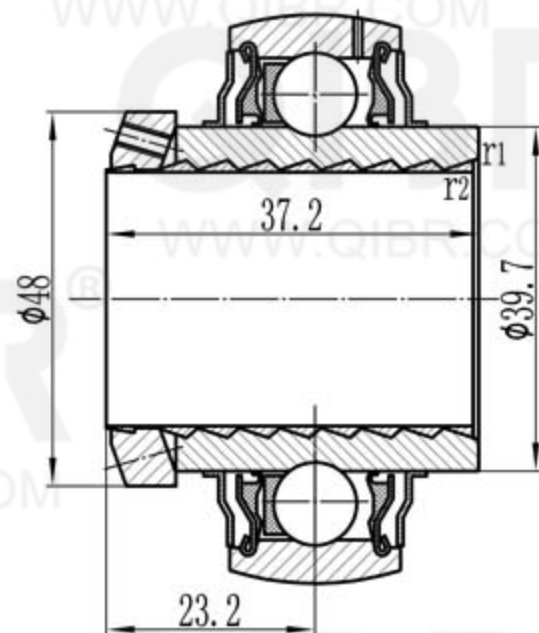
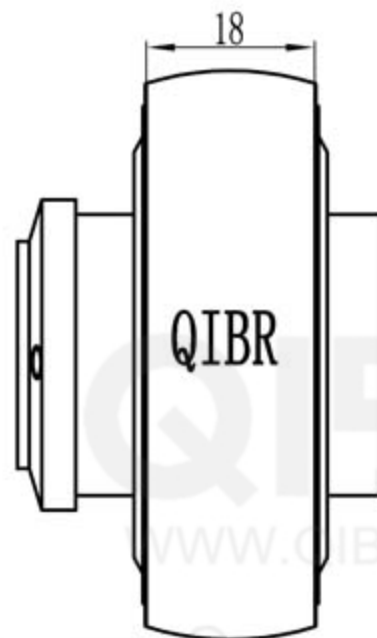
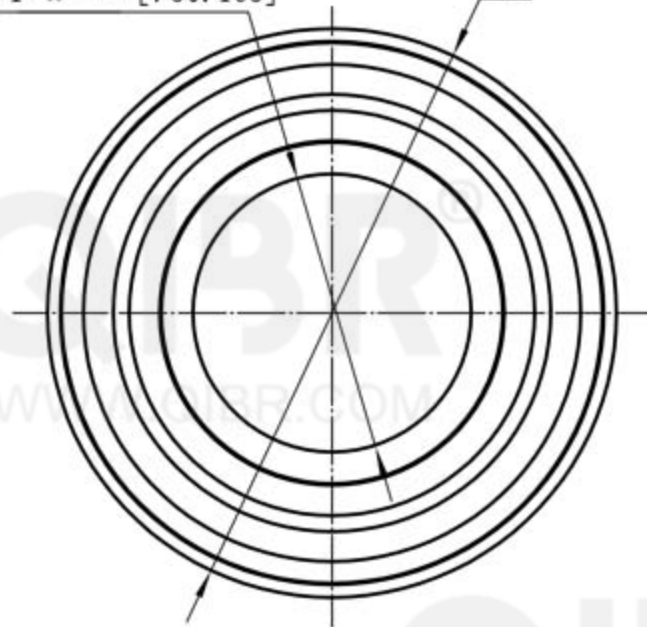


$\phi 1 \frac{3}{16}$  inch [ $\phi 30.163$ ]

$\phi 62$



**QIBR**<sup>®</sup>  
BEARINGS

LUOYANG QIBR BEARING CO., LTD  
<http://www.QIBR.com>

INSERT BALL  
BEARING

PART NUMBER  
QYSP 206-103 SB-2F