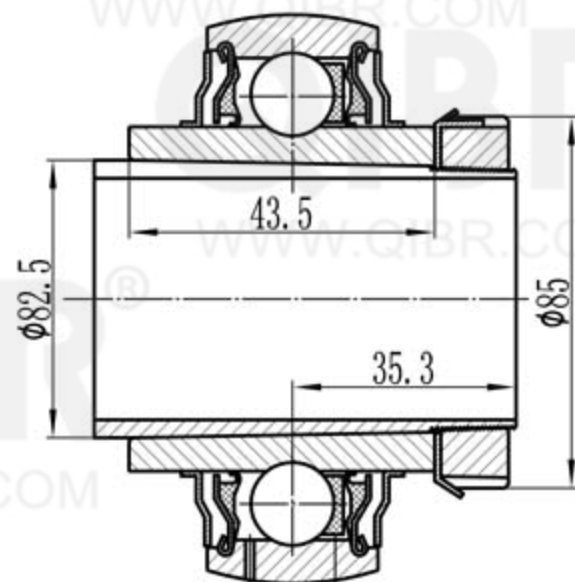
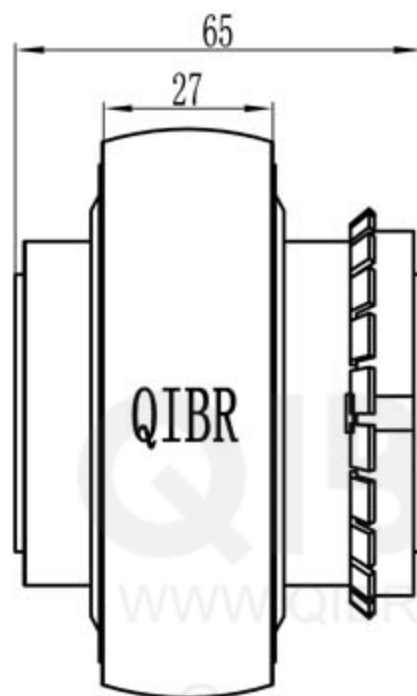
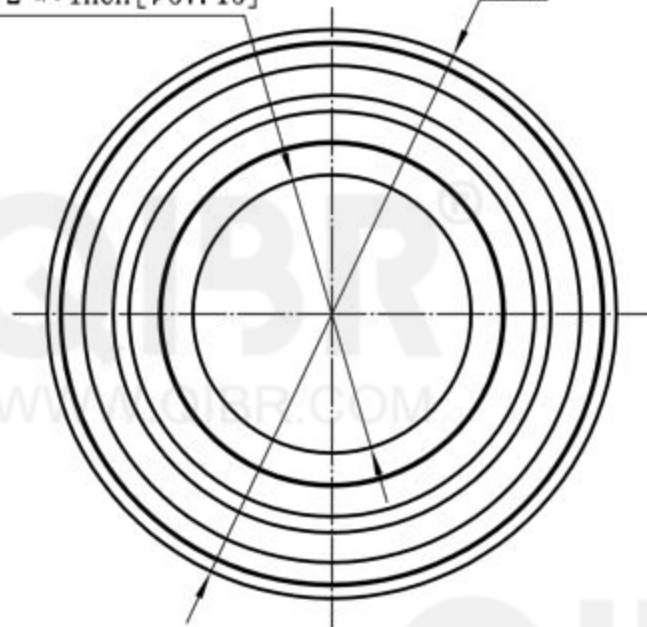


$\phi 2 \frac{1}{4}$ inch [$\phi 57.15$]

$\phi 120$



QIBR[®]
BEARINGS

LUOYANG QIBR BEARING CO., LTD

<http://www.QIBR.com>

INSERT BALL
BEARING

PART NUMBER
QYSA 213-2FK/HE2313