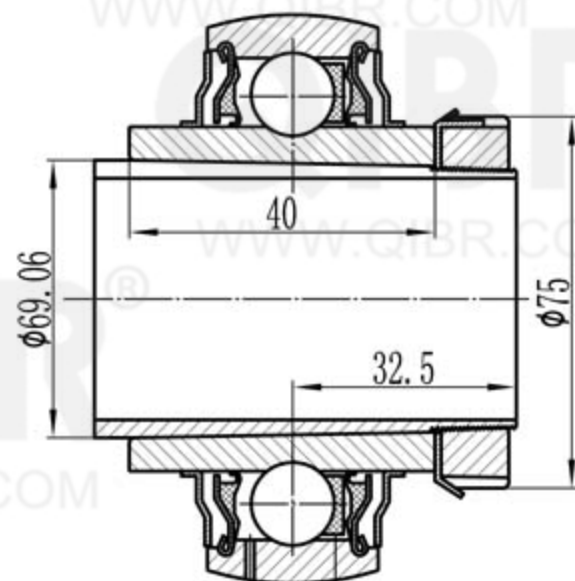
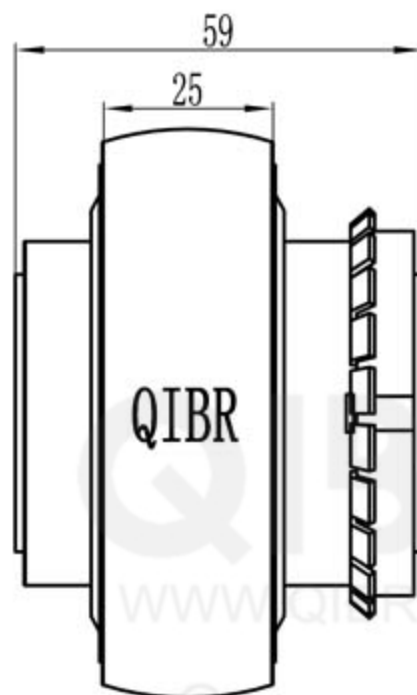
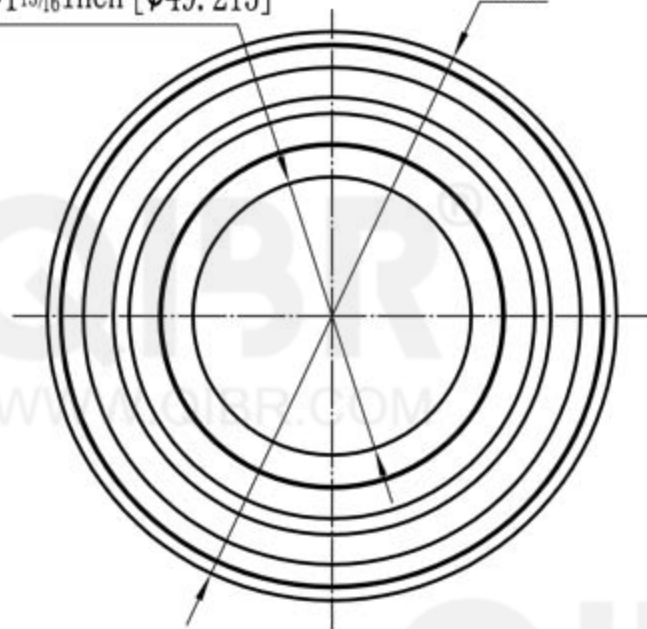


$\phi 1\frac{15}{16}$ inch [$\phi 49.213$]

$\phi 100$



QIBR[®]
BEARINGS

LUOYANG QIBR BEARING CO., LTD
<http://www.QIBR.com>

INSERT BALL
BEARING

PART NUMBER
QYSA 211-2FK/HA2311