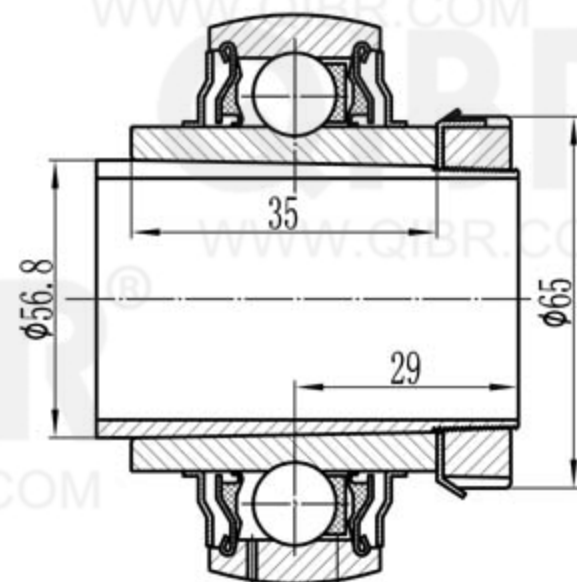
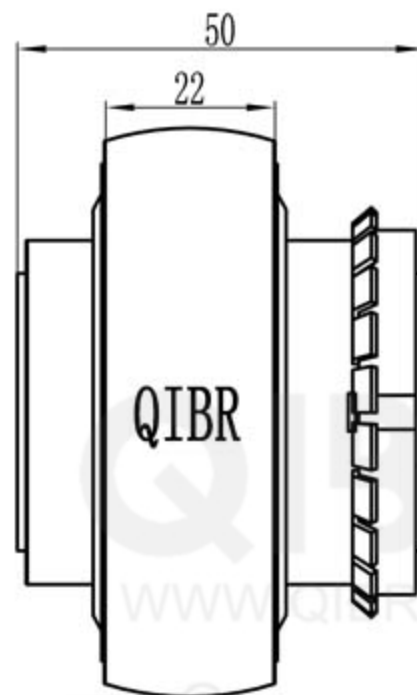
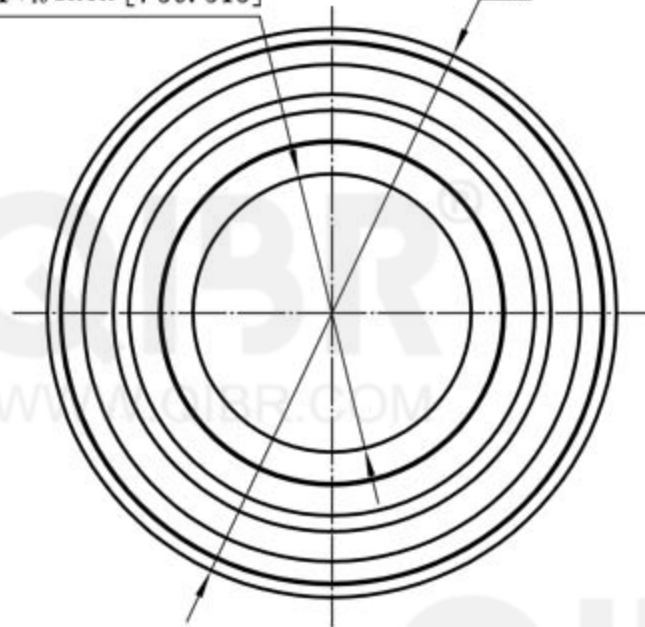


$\phi 1\frac{7}{16}$  inch [ $\phi 36.513$ ]

$\phi 85$



**QIBR**<sup>®</sup>  
BEARINGS

LUOYANG QIBR BEARING CO., LTD  
<http://www.QIBR.com>

INSERT BALL  
BEARING

PART NUMBER  
QYSA 209-2FK/HA2309