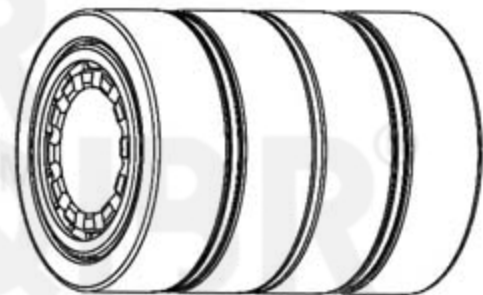


QIBR®

WWW.QIBR.COM

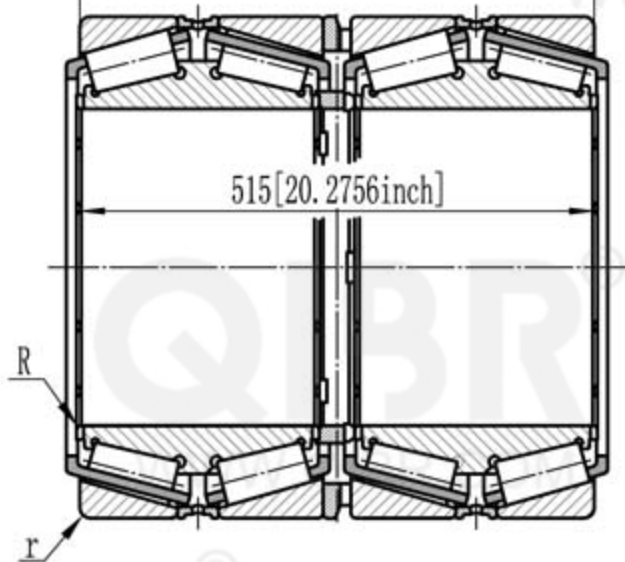
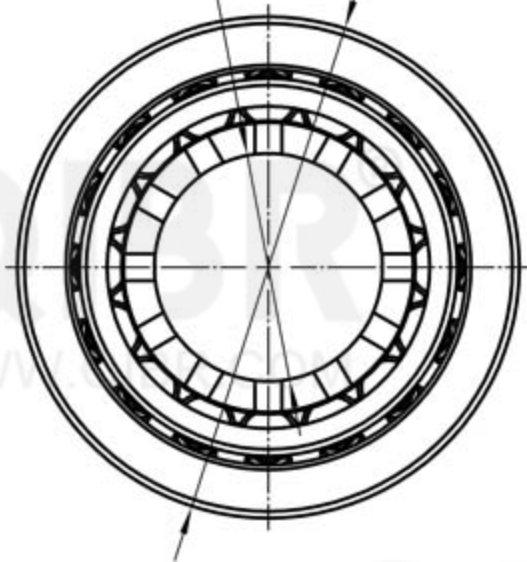
QIBR®  
WWW.QIBR.COM



$\phi 630.159$  [ $\phi 24.8094$ inch]

$\phi 630.16$  [ $\phi 24.8094$ inch]

849.875 [24.8094inch]



515 [20.2756inch]

R

r

QIBR®  
WWW.QIBR.COM

QIBR®  
BEARINGS

LUOYANG QIBR BEARING CO., LTD

<http://www.QIBR.com>

FOUR-ROW TAPERED

PART NUMBER

ROLLER BEARING

QNP122947/NP695979