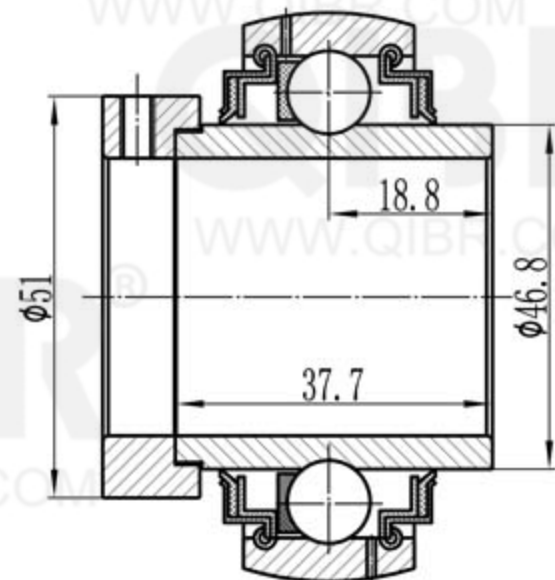
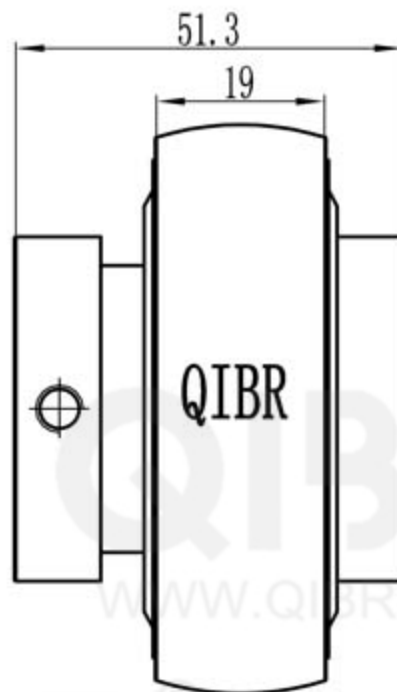
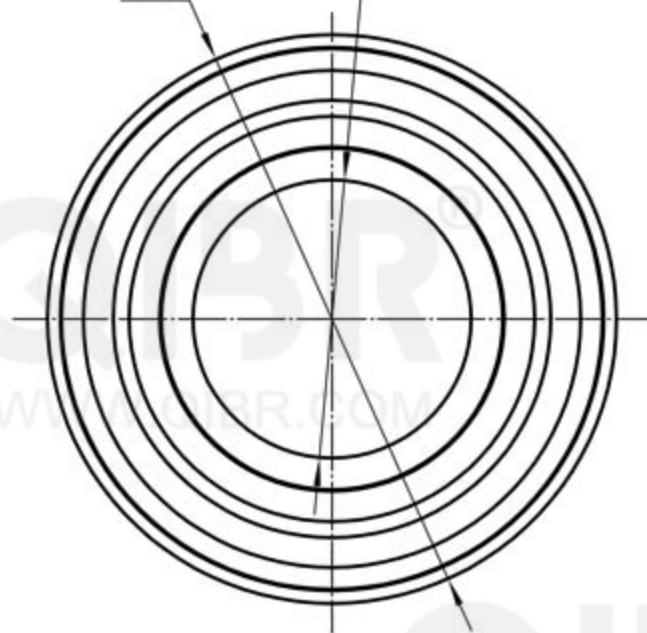


S ϕ 72

ϕ 34.925 [ϕ 1 $\frac{3}{8}$ inch]



QIBR[®]
BEARINGS

LUOYANG QIBR BEARING CO., LTD
<http://www.QIBR.com>

INSERT BALL
BEARING

PART NUMBER
QG1106-KRR-B-AS2/V