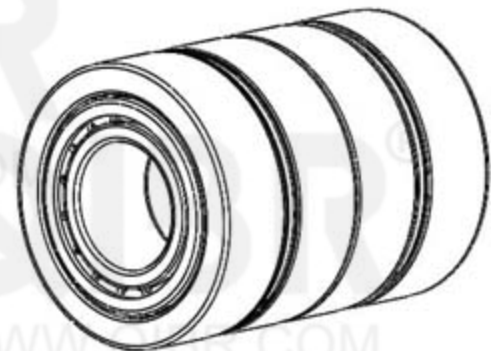


QIBR®

WWW.QIBR.COM

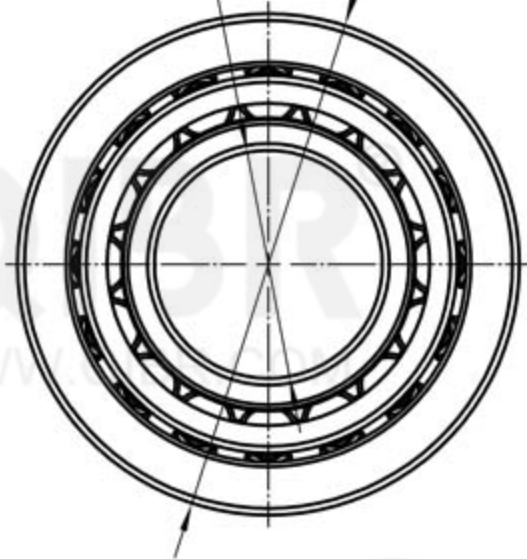
QIBR®

WWW.QIBR.COM

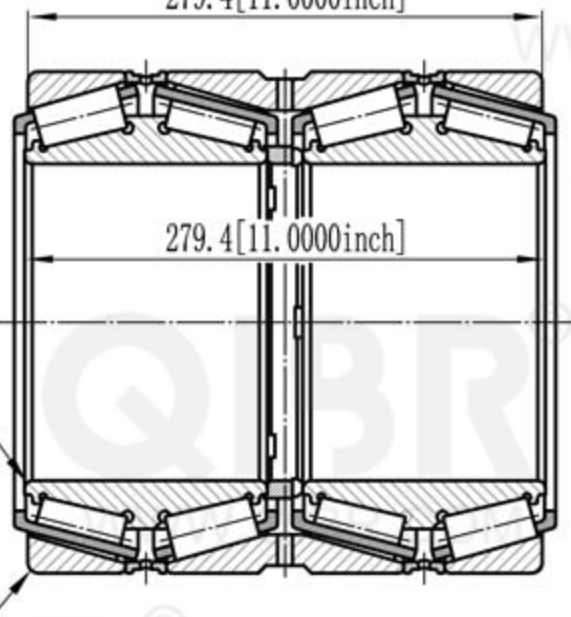


$\phi 254[\phi 10.0000\text{inch}]$

$\phi 444.5[\phi 17.5000\text{inch}]$



279.4[11.0000inch]



279.4[11.0000inch]

R

r

QIBR®

WWW.QIBR.COM

QIBR®
BEARINGS

LUOYANG QIBR BEARING CO., LTD

<http://www.QIBR.com>

FOUR-ROW TAPERED

PART NUMBER

ROLLER BEARING

QEE822101D/822175/822176D