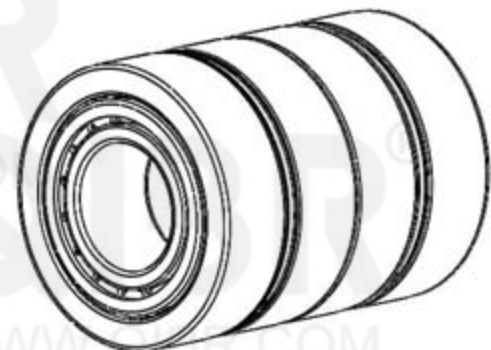


QIBR®

WWW.QIBR.COM

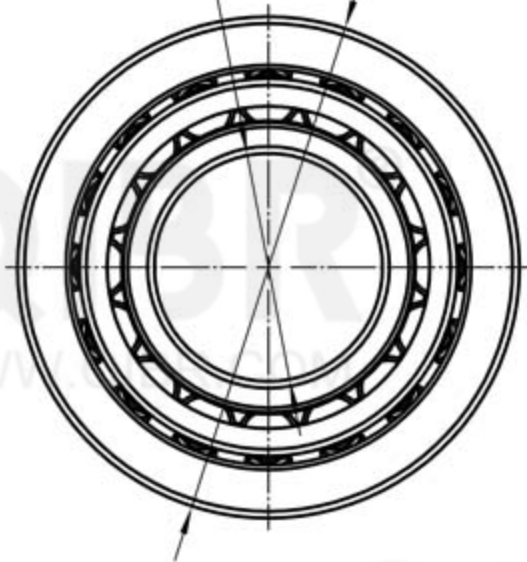
QIBR®

WWW.QIBR.COM

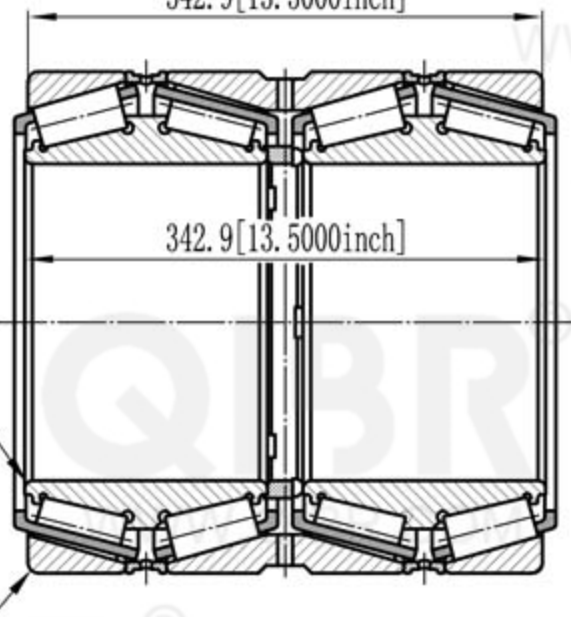


$\phi 342.9[\phi 13.5000\text{inch}]$

$\phi 571.5[\phi 22.5000\text{inch}]$



342.9[13.5000inch]



342.9[13.5000inch]

R

r

QIBR®

WWW.QIBR.COM

QIBR®
BEARINGS

LUOYANG QIBR BEARING CO., LTD

<http://www.QIBR.com>

FOUR-ROW TAPERED
ROLLER BEARING

PART NUMBER

QEE536136D/536225/536226D