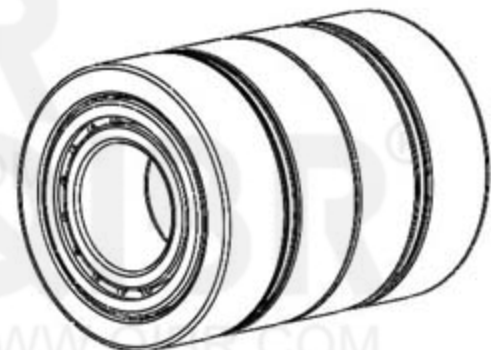


QIBR®

WWW.QIBR.COM

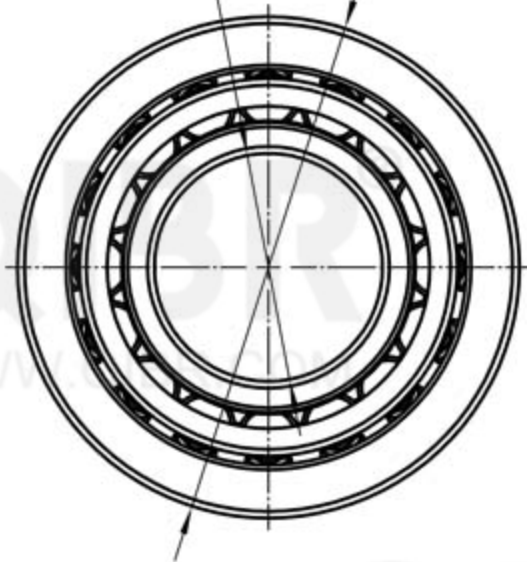
QIBR®

WWW.QIBR.COM



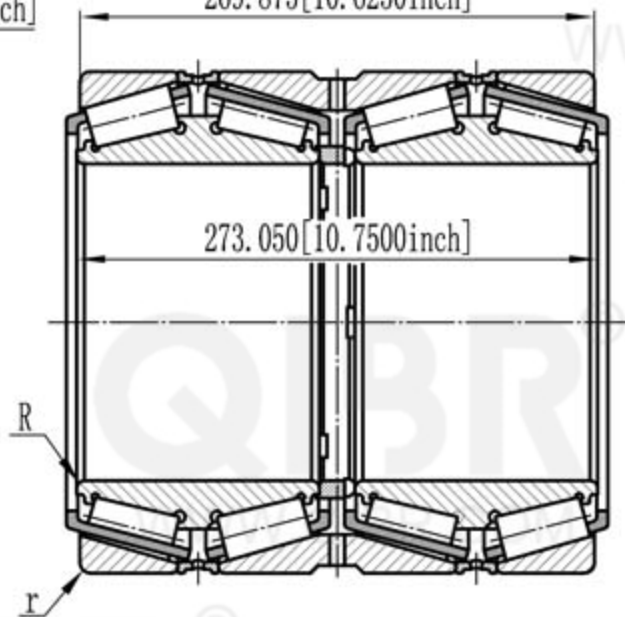
$\phi 215.9 [\phi 8.5000 \text{inch}]$

$\phi 355.6 [\phi 14.0000 \text{inch}]$



269.875 [10.6250inch]

273.050 [10.7500inch]



R

r

QIBR®

WWW.QIBR.COM

QIBR®
BEARINGS

LUOYANG QIBR BEARING CO., LTD

<http://www.QIBR.com>

FOUR-ROW TAPERED
ROLLER BEARING

PART NUMBER
Q96851DW/96140/96140CD