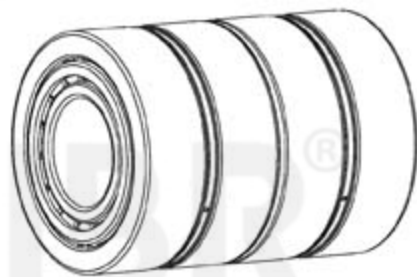


QIBR®

WWW.QIBR.COM

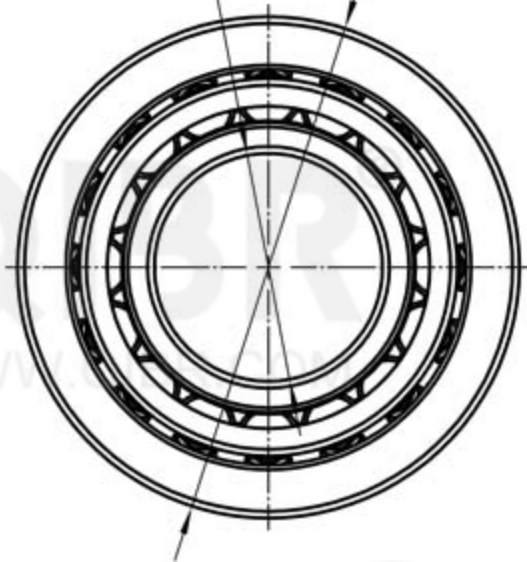
QIBR®

WWW.QIBR.COM

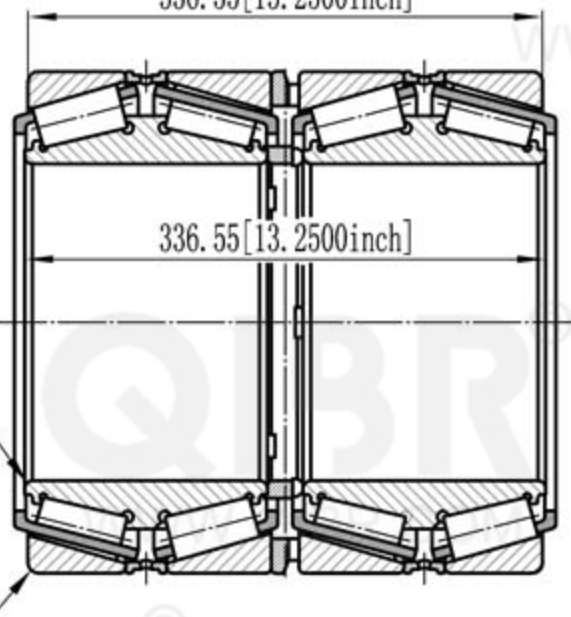


$\phi 203.2$ [$\phi 8.0000$ inch]

$\phi 317.5$ [$\phi 12.5000$ inch]



336.55 [13.2500inch]



336.55 [13.2500inch]

R

r

QIBR®

WWW.QIBR.COM

QIBR®
BEARINGS

LUOYANG QIBR BEARING CO., LTD

<http://www.QIBR.com>

FOUR-ROW TAPERED

ROLLER BEARING

PART NUMBER

Q93801D/93125