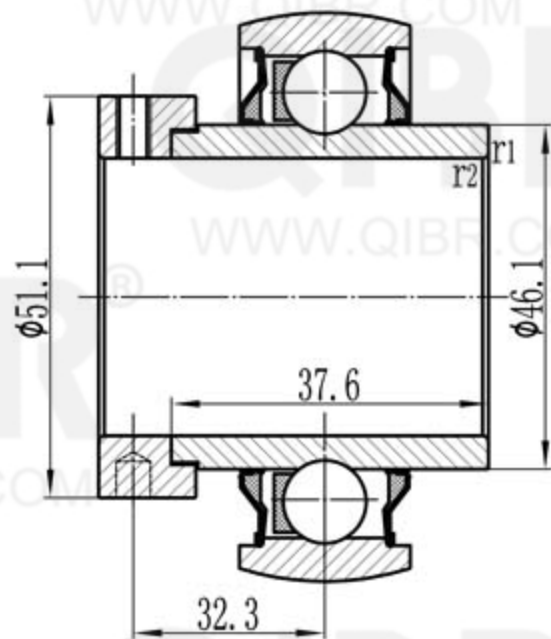
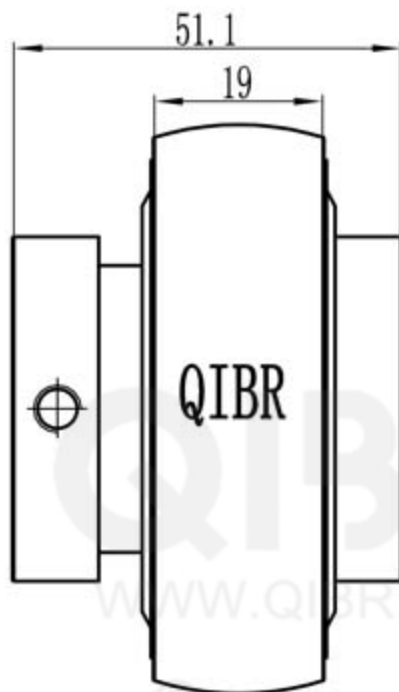
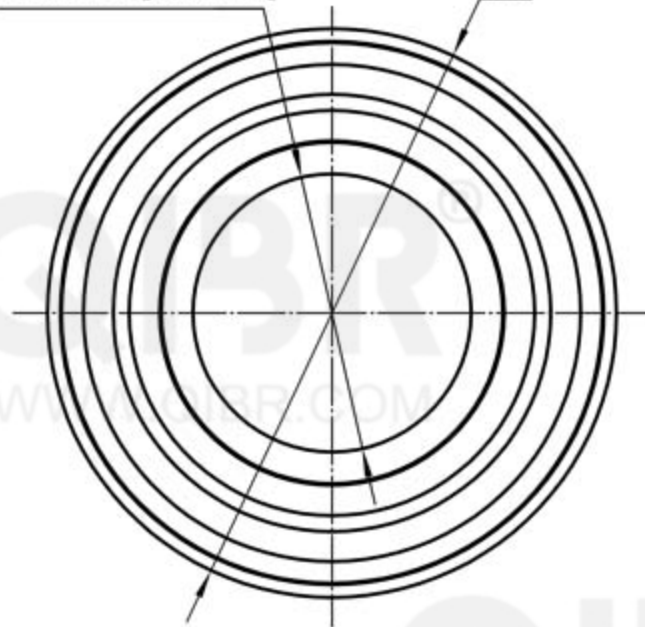


$\phi 1 \frac{3}{8}$ inch [$\phi 34.925$]

$\phi 72$



QIBR[®]
BEARINGS

LUOYANG QIBR BEARING CO., LTD

<http://www.QIBR.com>

INSERT BALL
BEARING

PART
NUMBER QYELAG 207-106