

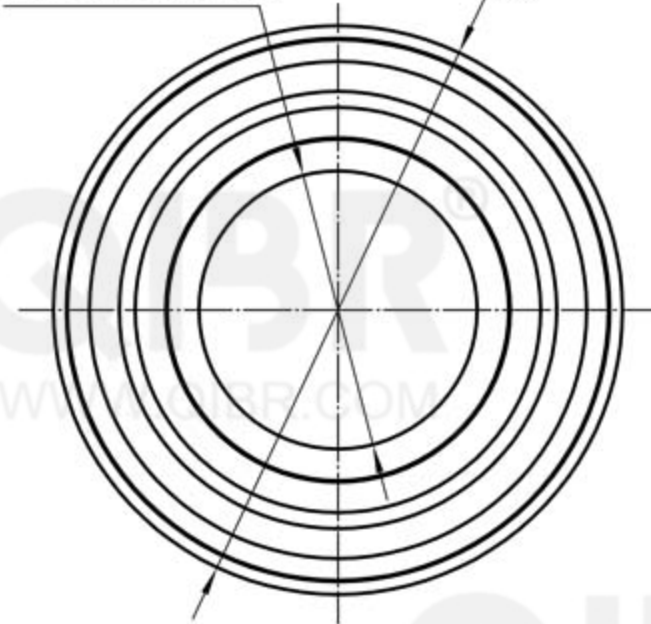
QIBR<sup>®</sup>  
WWW.QIBR.COM

QIBR<sup>®</sup>  
WWW.QIBR.COM



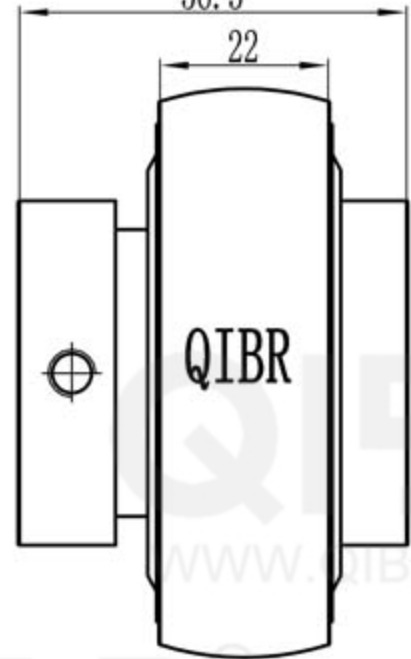
$\phi 1 \frac{3}{4}$  inch [ $\phi 44.45$ ]

$\phi 85$

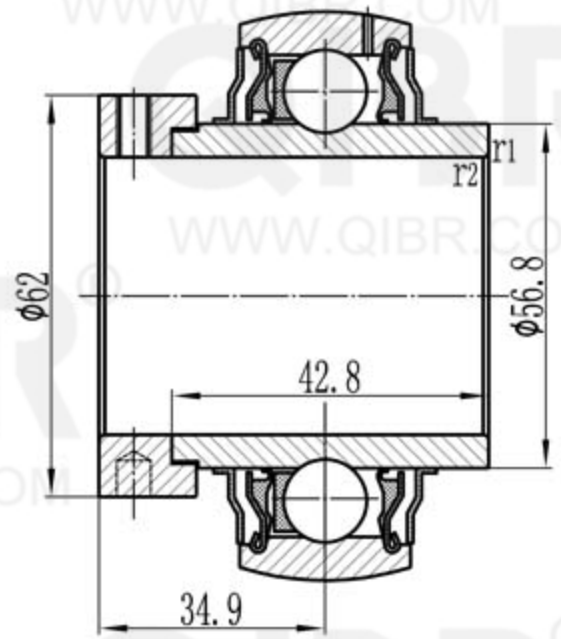


56.3

22



QIBR



$\phi 62$

42.8

$\phi 85.8$

34.9

QIBR<sup>®</sup>  
WWW.QIBR.COM

**QIBR<sup>®</sup>**  
BEARINGS

LUOYANG QIBR BEARING CO., LTD  
<http://www.QIBR.com>

INSERT BALL  
BEARING

PART  
NUMBER QYEL 209-112-2F