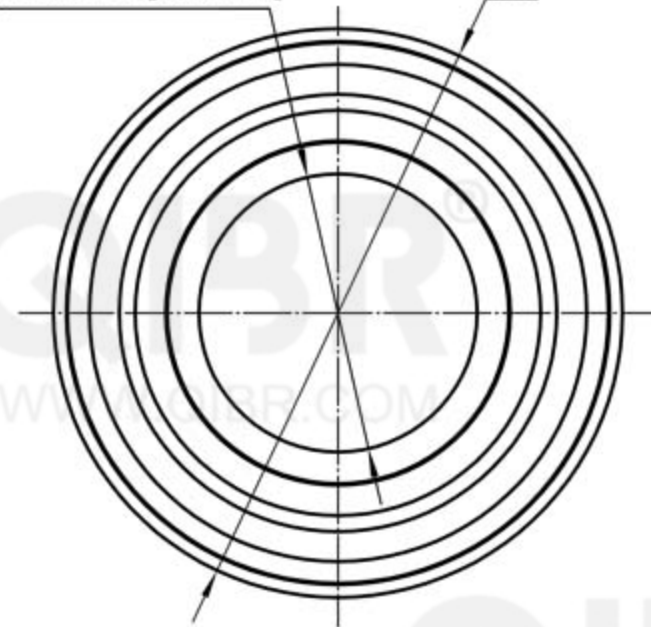


QIBR®  
WWW.QIBR.COM

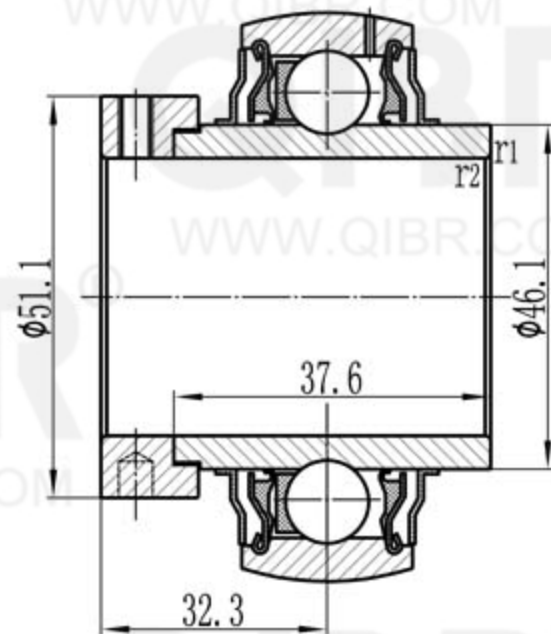
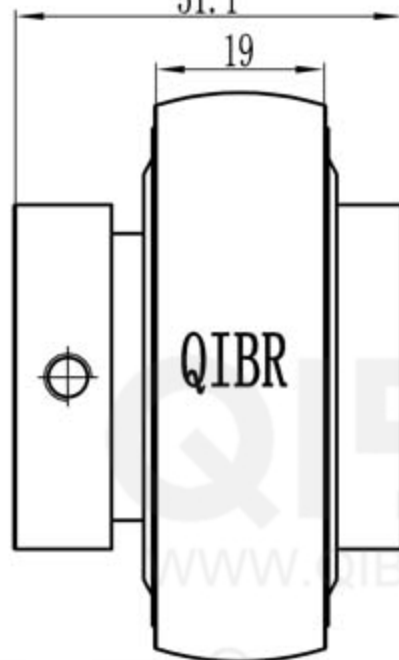
$\phi 1 \frac{3}{8}$  inch [ $\phi 34.925$ ]

$\phi 72$



51.1

19



**QIBR**<sup>®</sup>  
BEARINGS

LUOYANG QIBR BEARING CO., LTD

<http://www.QIBR.com>

INSERT BALL  
BEARING

PART  
NUMBER QYEL 207-106-2F