

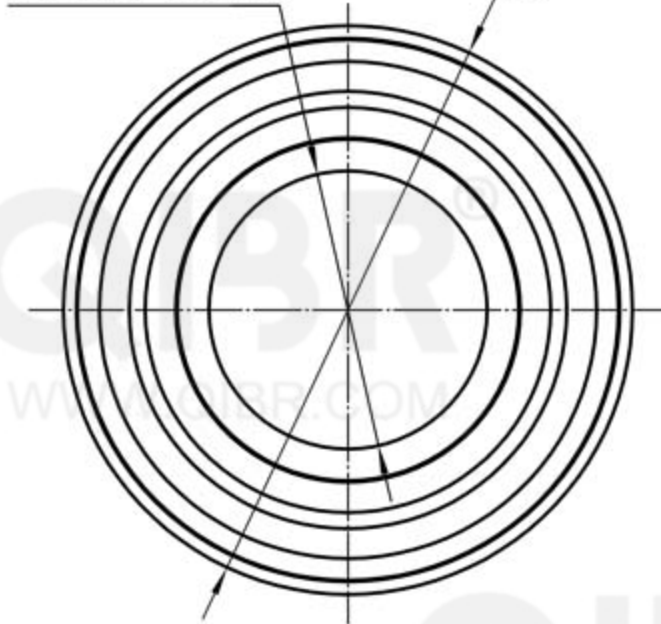
QIBR[®]
WWW.QIBR.COM

QIBR[®]
WWW.QIBR.COM



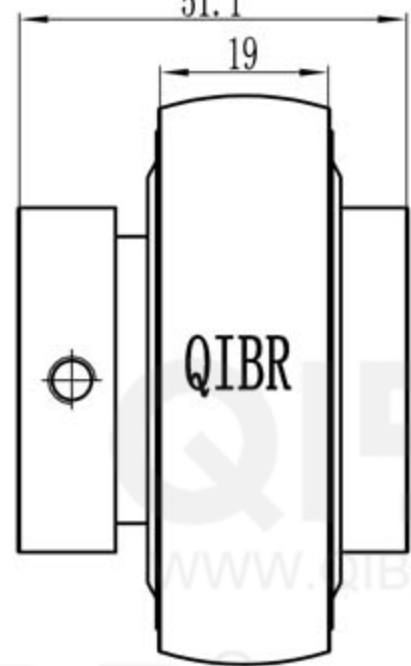
$\phi 1\frac{1}{4}$ inch [$\phi 31.75$]

$\phi 72$

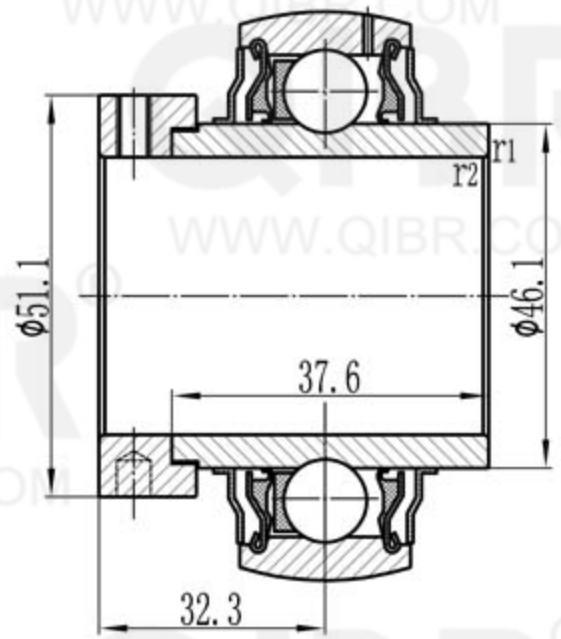


51.1

19



QIBR



QIBR[®]
BEARINGS

LUOYANG QIBR BEARING CO., LTD
<http://www.QIBR.com>

INSERT BALL
BEARING

PART
NUMBER QYEL 207-104-2F