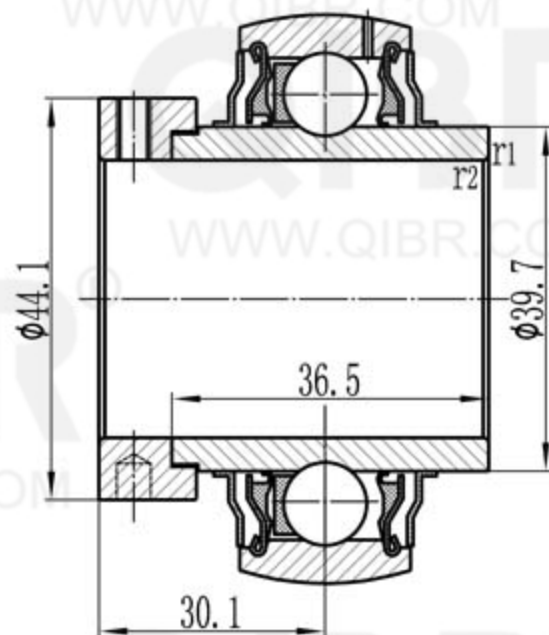
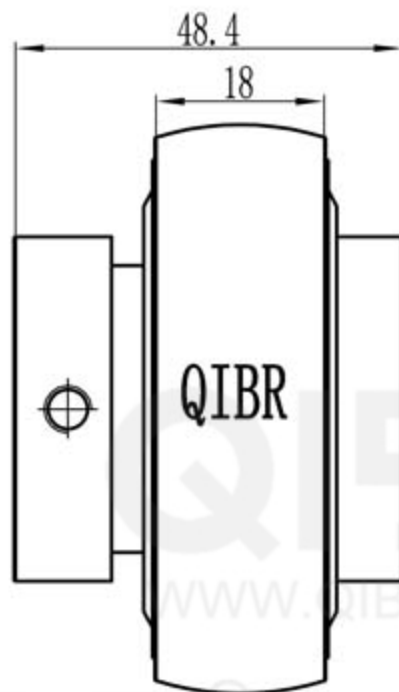
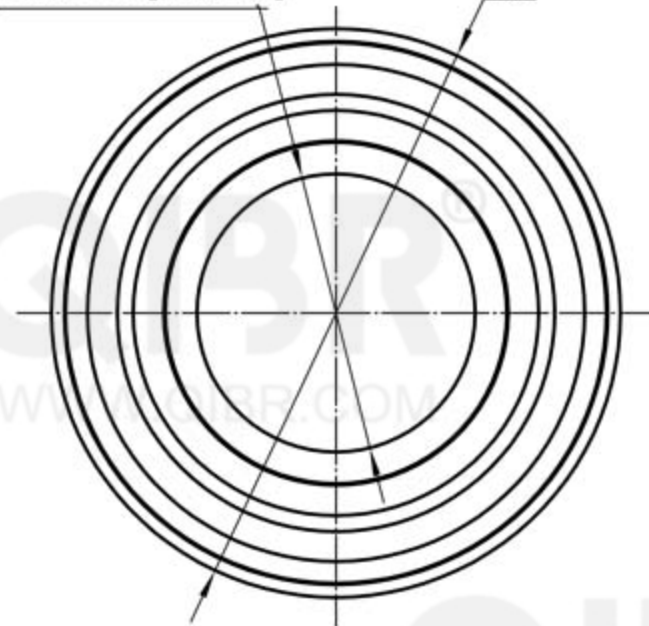


$\phi 1 \frac{3}{16}$ inch [$\phi 30.163$]

$\phi 62$



QIBR[®]
BEARINGS

LUOYANG QIBR BEARING CO., LTD

<http://www.QIBR.com>

INSERT BALL
BEARING

PART
NUMBER QYEL 206-103-2F