

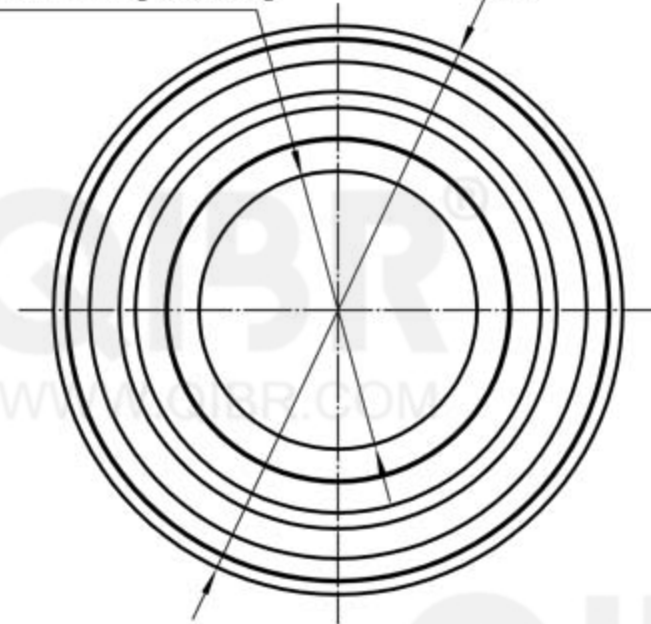
QIBR<sup>®</sup>  
WWW.QIBR.COM

QIBR<sup>®</sup>  
WWW.QIBR.COM



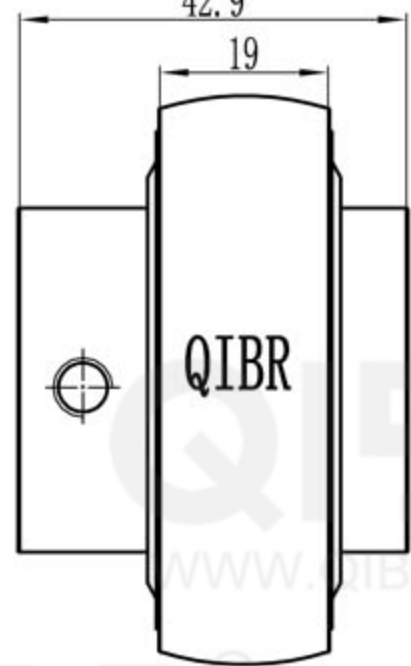
$\phi 17/16$  inch [ $\phi 36.513$ ]

$\phi 72$

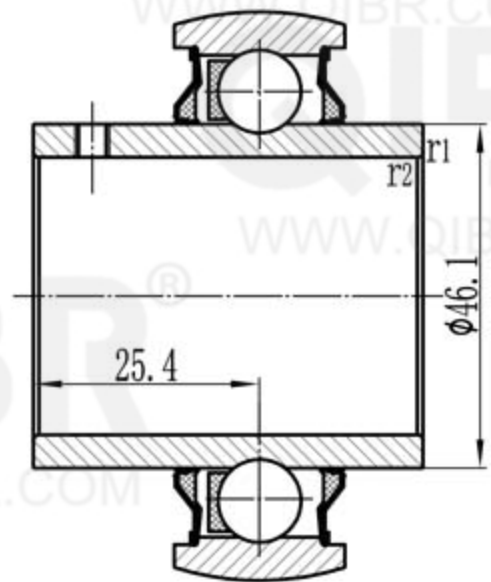


42.9

19



QIBR



**QIBR<sup>®</sup>**  
BEARINGS

LUOYANG QIBR BEARING CO., LTD  
<http://www.QIBR.com>

INSERT BALL  
BEARING

PART  
NUMBER QYARAG 207-107