

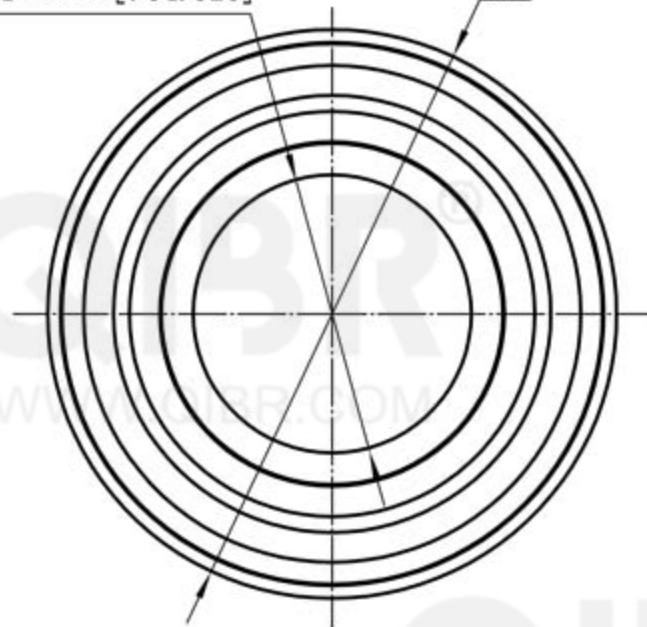
QIBR®  
WWW.QIBR.COM

QIBR®  
WWW.QIBR.COM



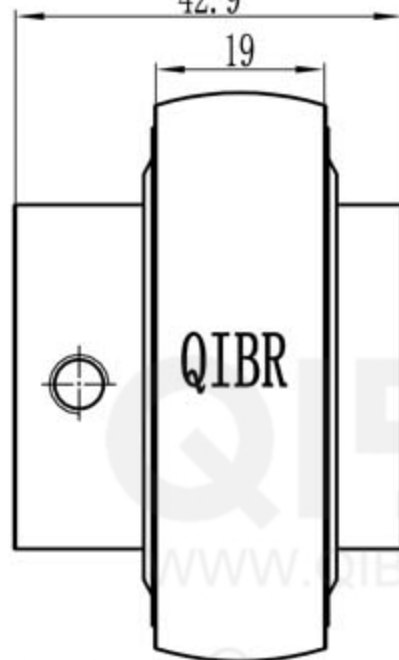
$\phi 1\frac{3}{8}$  inch [ $\phi 34.925$ ]

$\phi 72$

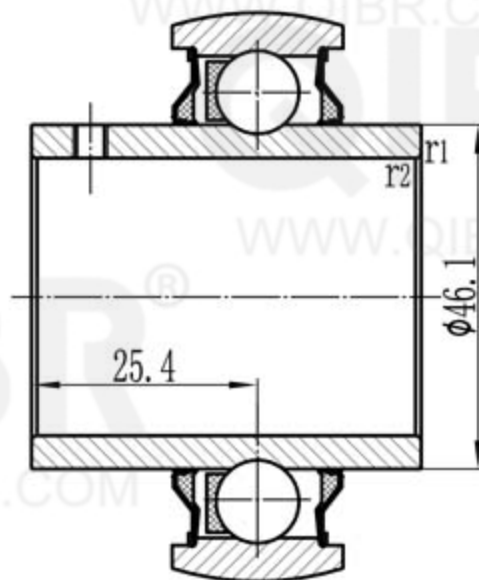


42.9

19



QIBR



25.4

$\phi 46.1$

r1

r2

QIBR®  
BEARINGS

LUOYANG QIBR BEARING CO., LTD

<http://www.QIBR.com>

INSERT BALL  
BEARING

PART  
NUMBER QYARAG 207-106