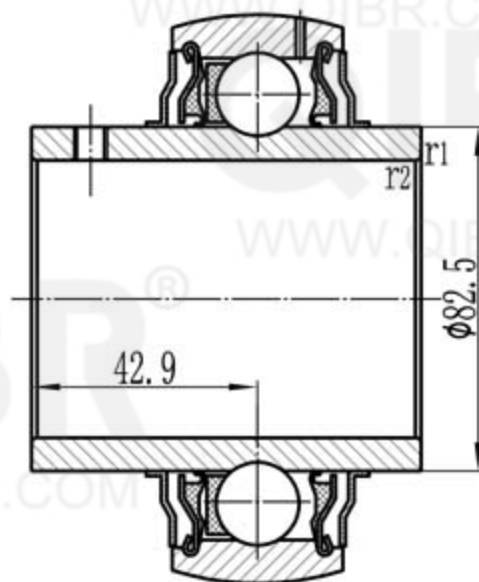
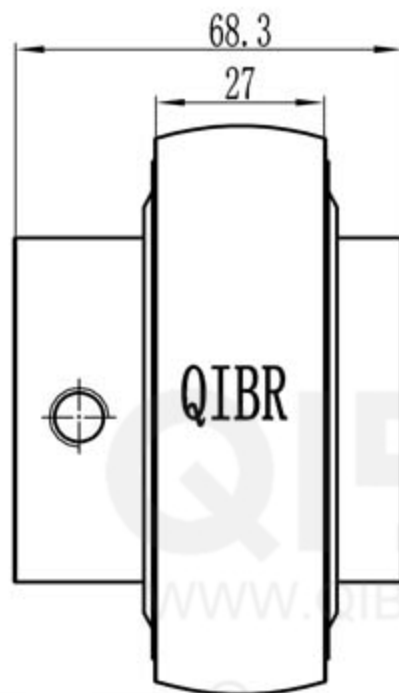
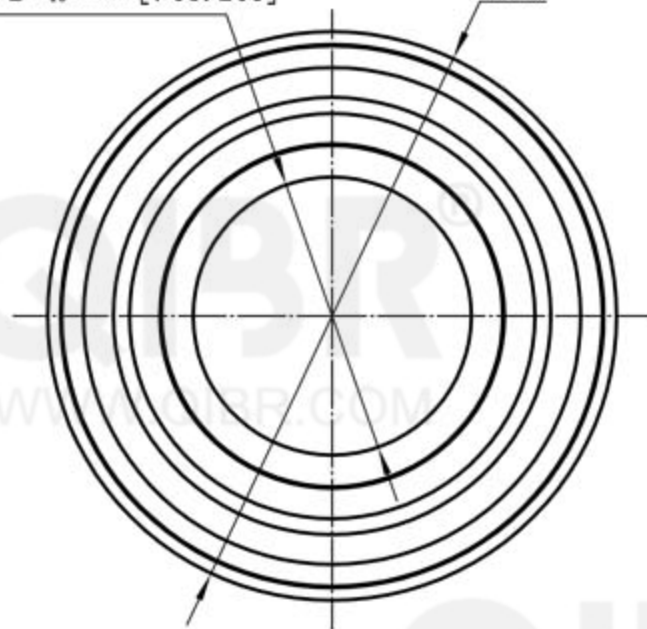


$\phi 2\frac{11}{16}$ inch [$\phi 68.263$]

$\phi 120$



QIBR[®]
BEARINGS

LUOYANG QIBR BEARING CO., LTD

<http://www.QIBR.com>

INSERT BALL
BEARING

PART
NUMBER QYAR 213-211-2F