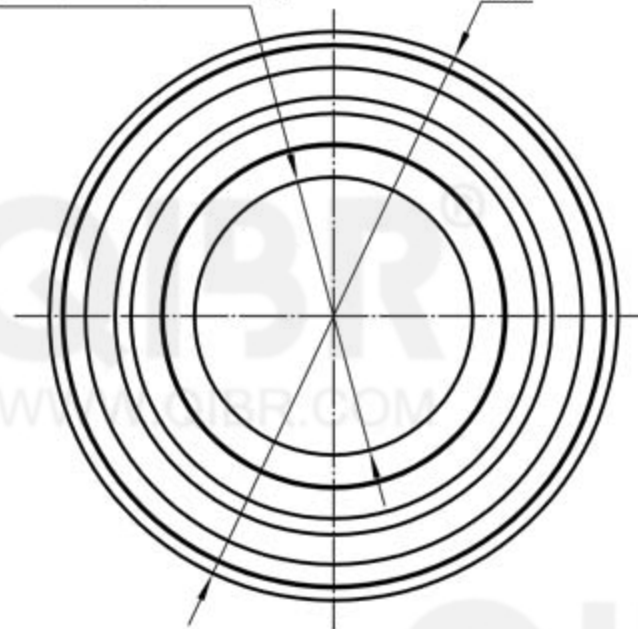


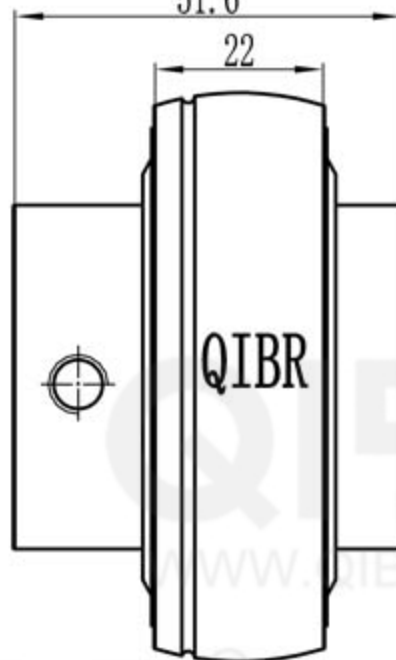
$\phi 1\frac{15}{16}$ inch [ $\phi 49.213$ ]

$\phi 90$

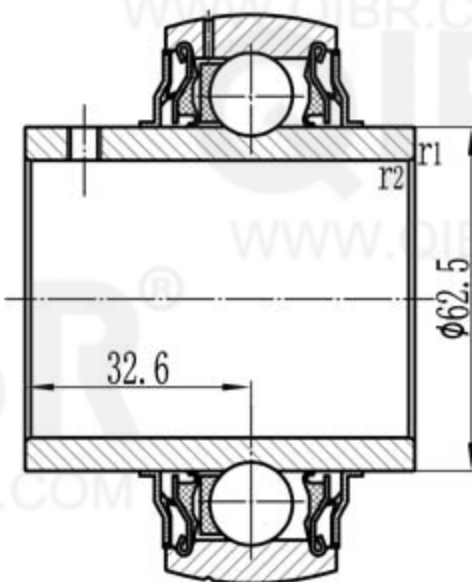


51.6

22



QIBR



**QIBR**<sup>®</sup>  
BEARINGS

LUOYANG QIBR BEARING CO., LTD

<http://www.QIBR.com>

INSERT BALL  
BEARING

PART NUMBER

QYAR 210-115-2RFGR/HV