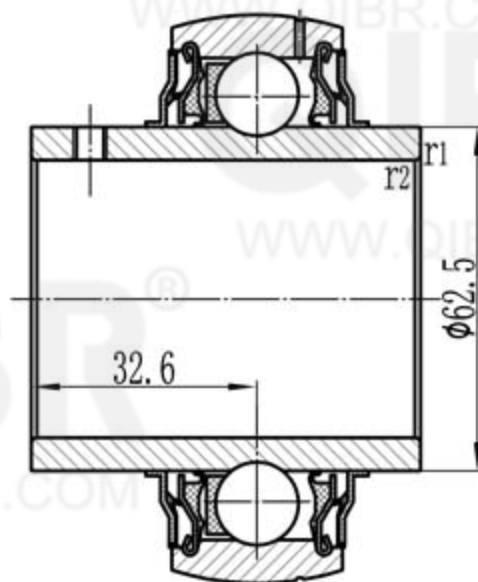
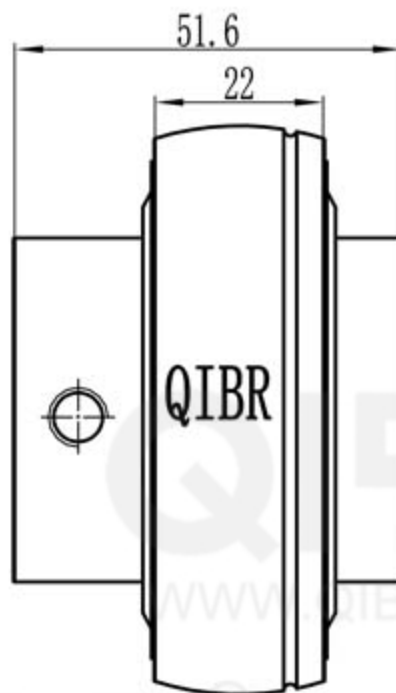
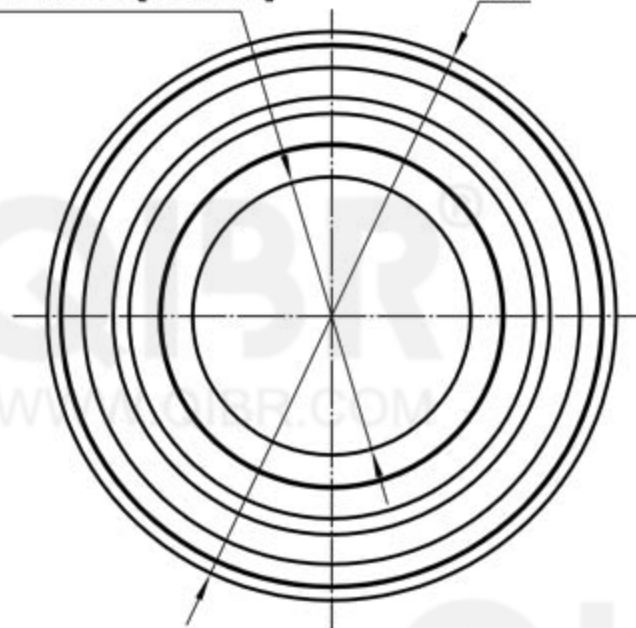


$\phi 1\frac{15}{16}$  inch [ $\phi 49.213$ ]

$\phi 90$



**QIBR**<sup>®</sup>  
BEARINGS

LUOYANG QIBR BEARING CO., LTD

<http://www.QIBR.com>

INSERT BALL  
BEARING

PART NUMBER  
QYAR 210-115-2RF/HV