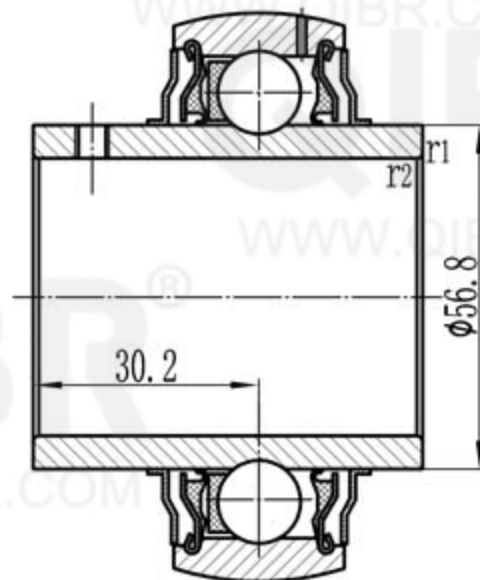
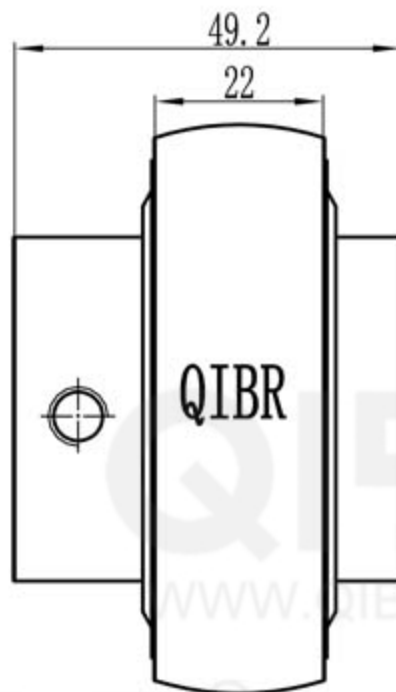
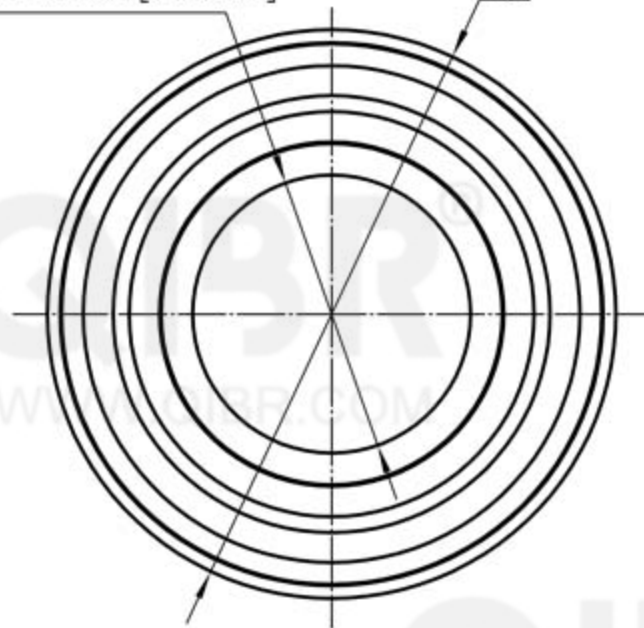


$\phi 1\frac{11}{16}$ inch [ $\phi 42.863$ ]

$\phi 85$



**QIBR**<sup>®</sup>  
BEARINGS

LUOYANG QIBR BEARING CO., LTD

<http://www.QIBR.com>

INSERT BALL  
BEARING

PART  
NUMBER QYAR 209-111-2F