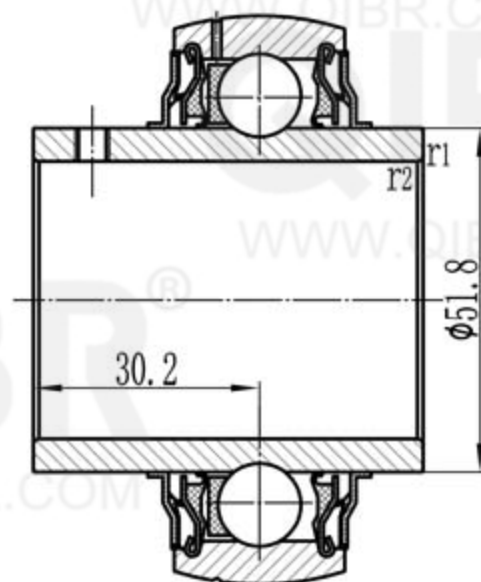
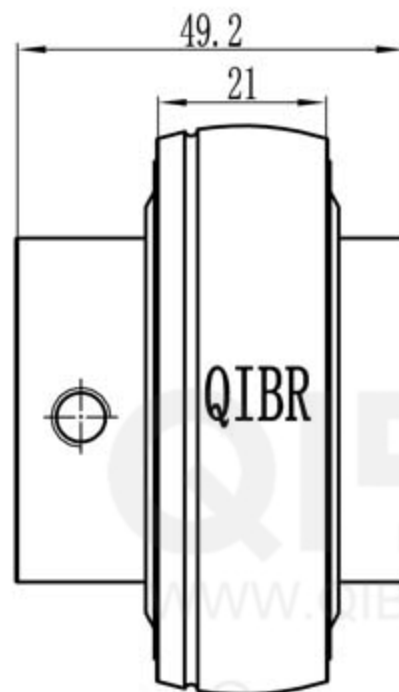
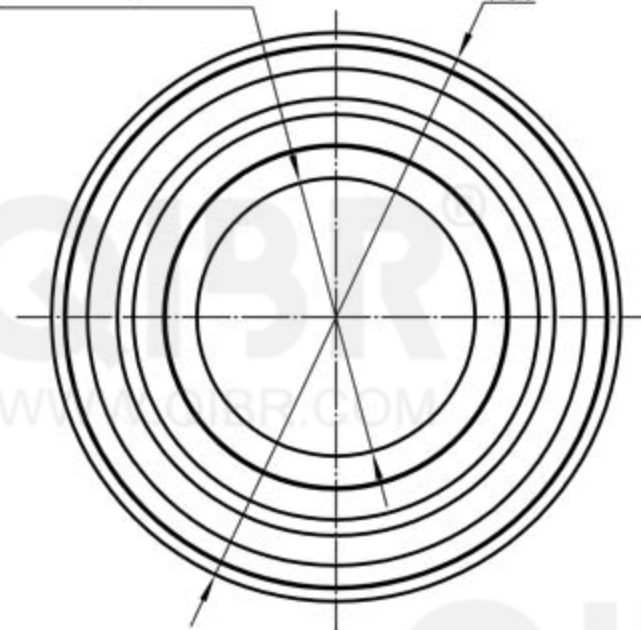


$\phi 1\frac{1}{2}$ inch [$\phi 38.1$]

$\phi 80$



QIBR[®]
BEARINGS

LUOYANG QIBR BEARING CO., LTD

<http://www.QIBR.com>

INSERT BALL
BEARING

PART NUMBER

QYAR 208-108-2RFGR/HV