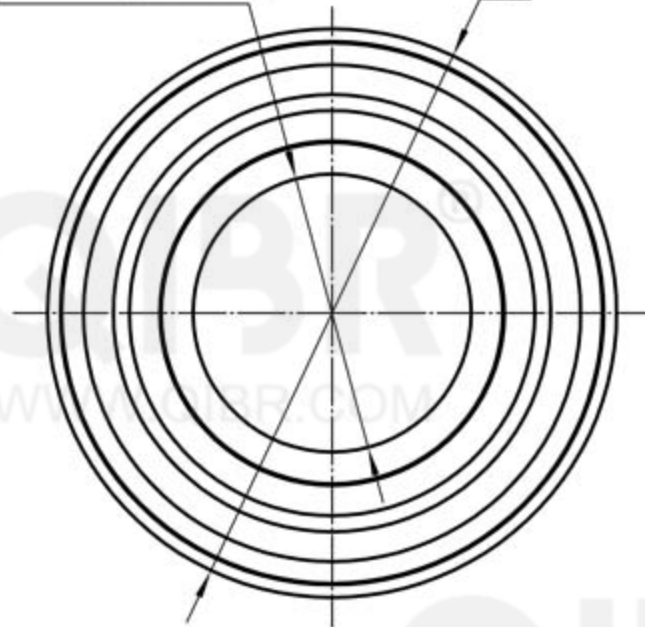


QIBR®
WWW.QIBR.COM

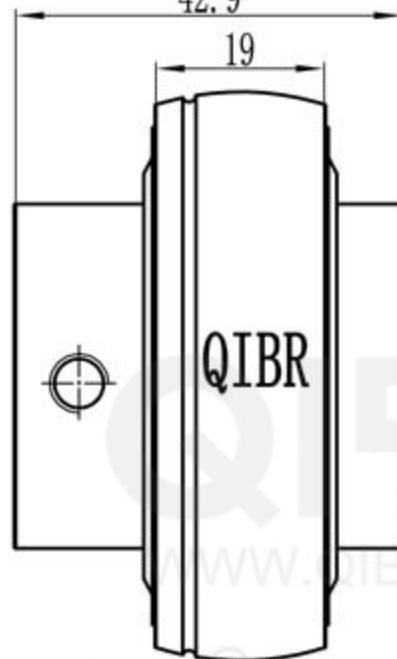
$\phi 1\frac{3}{8}$ inch [$\phi 34.925$]

$\phi 72$

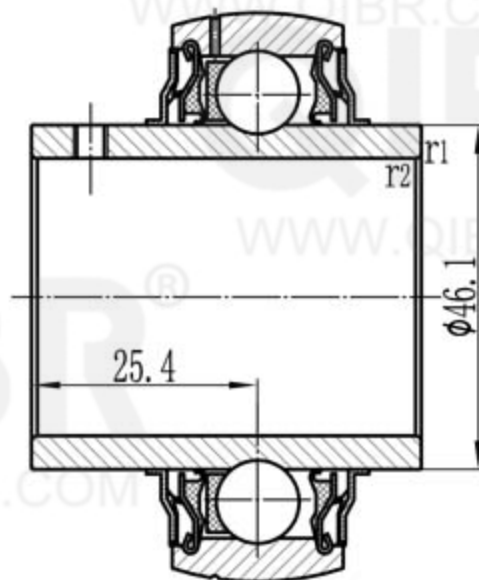


42.9

19



QIBR



25.4

$\phi 46.1$

QIBR®
BEARINGS

LUOYANG QIBR BEARING CO., LTD

<http://www.QIBR.com>

INSERT BALL
BEARING

PART NUMBER

QYAR 207-106-2RFGR/HV