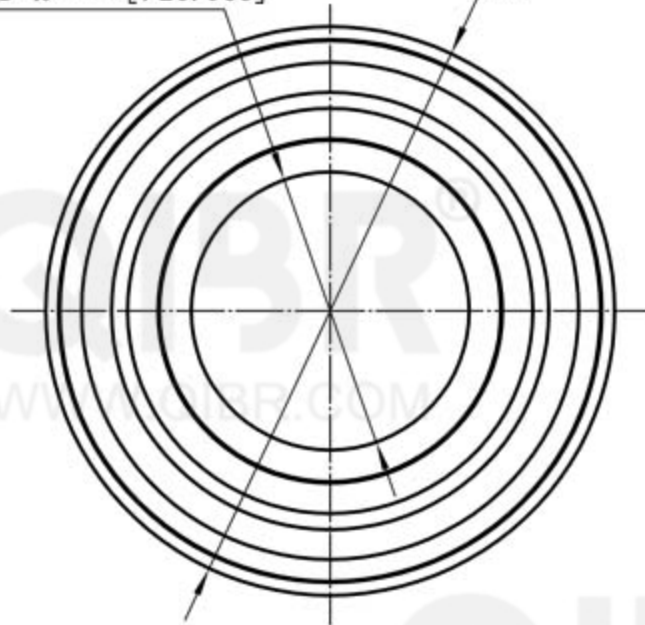


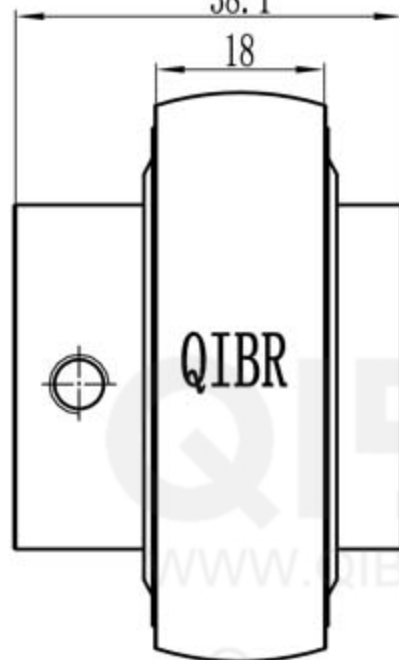
$\phi 1\frac{1}{16}$ inch [$\phi 26.988$]

$\phi 62$

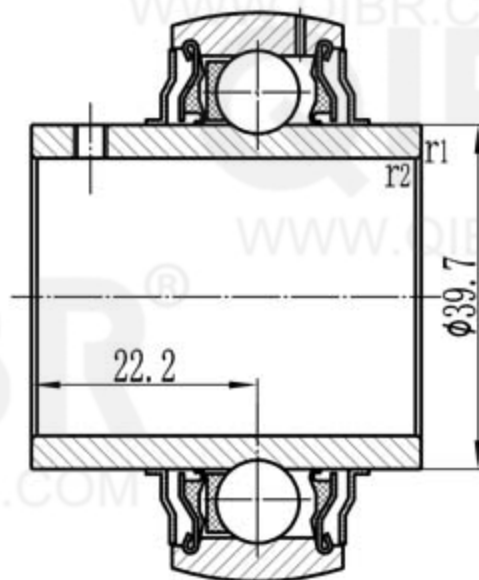


38.1

18



QIBR



QIBR[®]
BEARINGS

LUOYANG QIBR BEARING CO., LTD

<http://www.QIBR.com>

INSERT BALL
BEARING

PART
NUMBER QYAR 206-101-2F