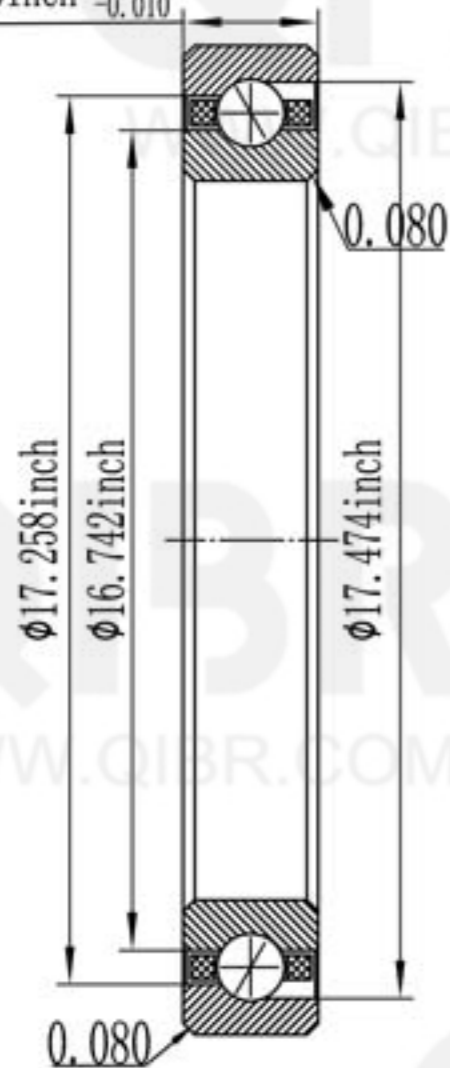
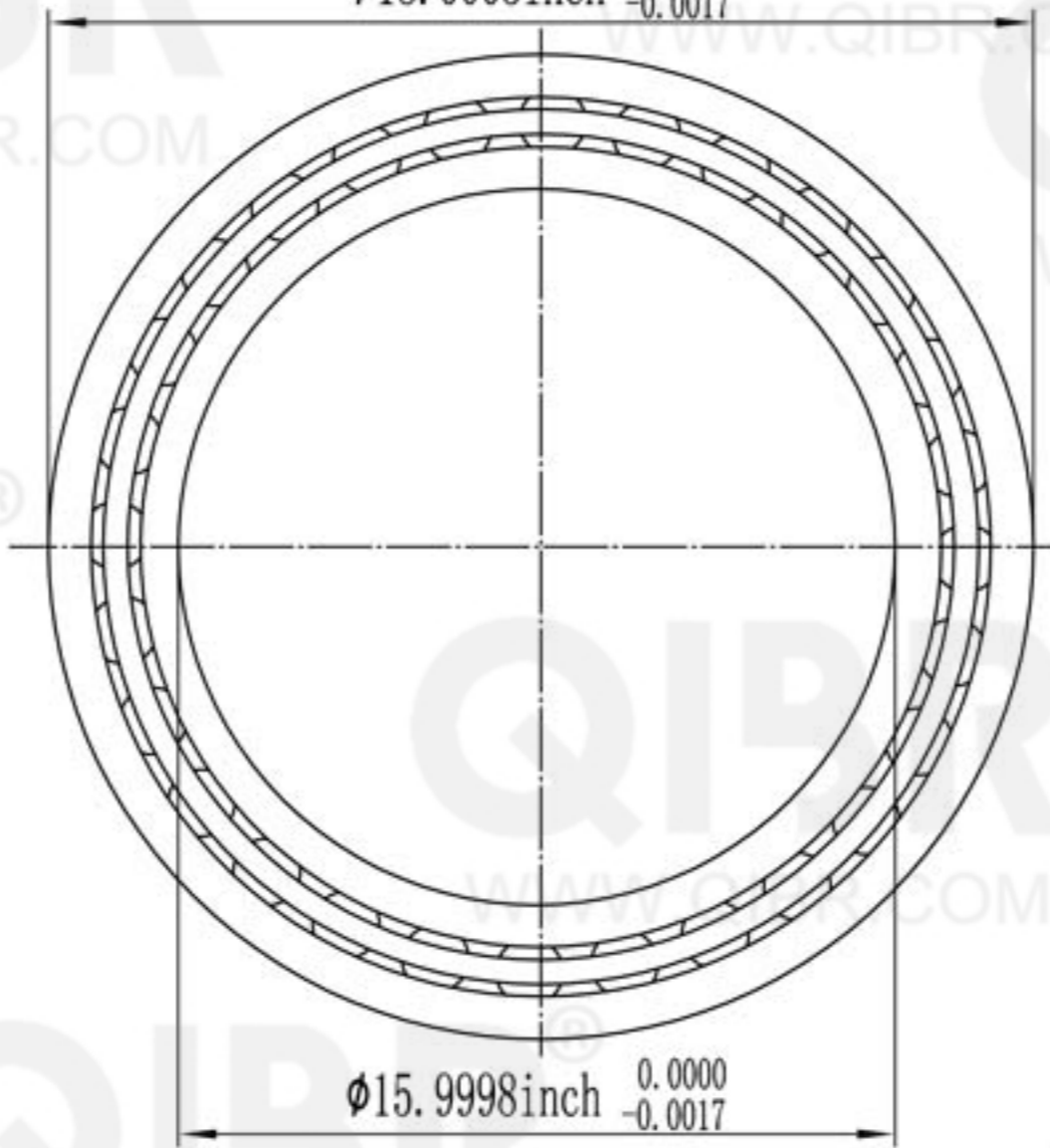


1.000inch $\begin{matrix} +0.000 \\ -0.010 \end{matrix}$



$\phi 18.0003$ inch $\begin{matrix} 0.0000 \\ -0.0017 \end{matrix}$



$\phi 15.9998$ inch $\begin{matrix} 0.0000 \\ -0.0017 \end{matrix}$



QIBR[®]
BEARINGS

LUOYANG QIBR BEARING CO., LTD
<http://www.QIBR.com>

THIN SECTION
ANGULAR CONTACT
BALL BEARING

PART
NUMBER QNG160ARO