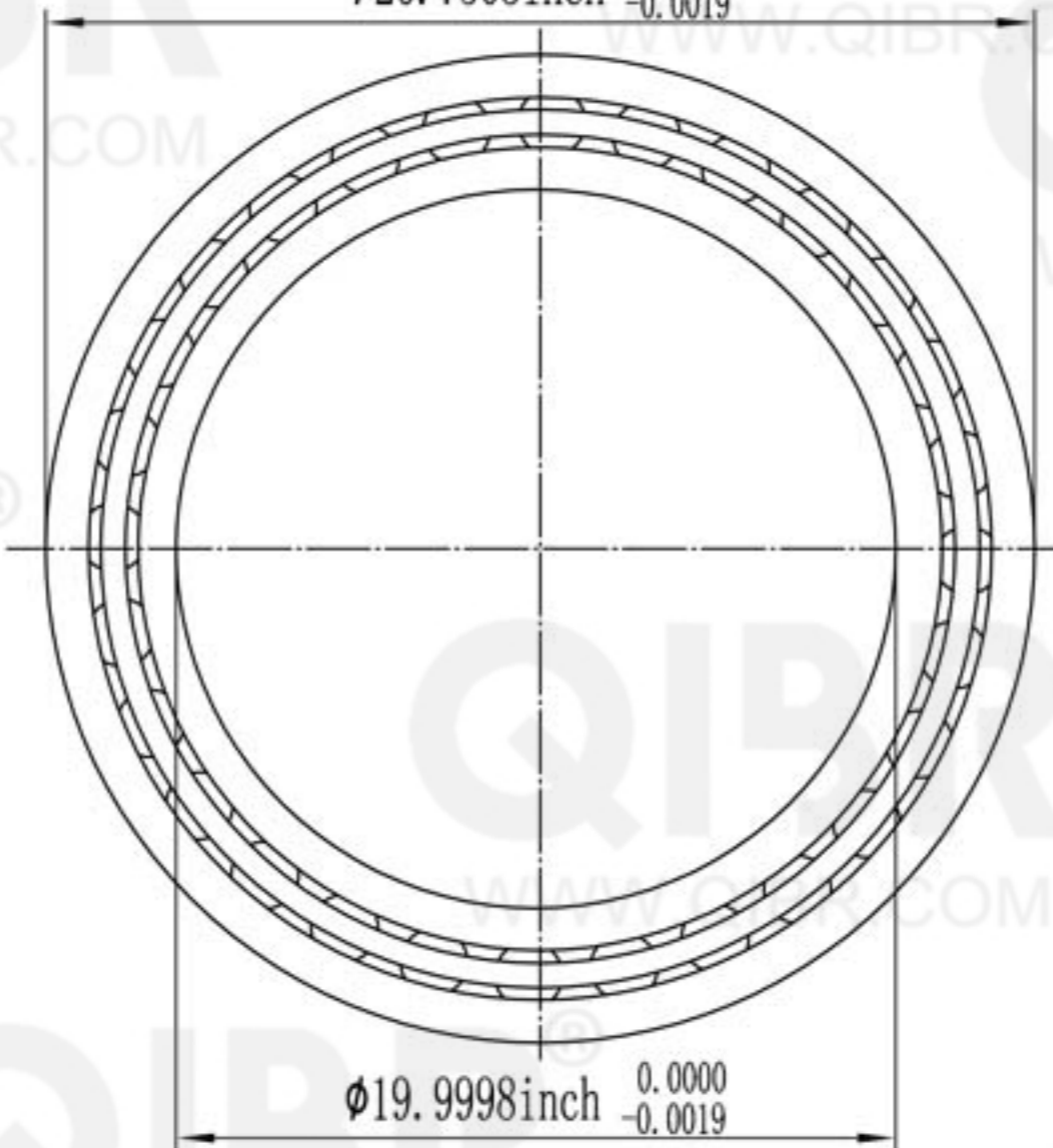


0.375inch $\begin{matrix} +0.000 \\ -0.010 \end{matrix}$



$\phi 20.7503$ inch $\begin{matrix} 0.0000 \\ -0.0019 \end{matrix}$



$\phi 19.9998$ inch $\begin{matrix} 0.0000 \\ -0.0019 \end{matrix}$



QIBR[®]
BEARINGS

LUOYANG QIBR BEARING CO., LTD

<http://www.QIBR.com>

THIN SECTION
ANGULAR CONTACT
BALL BEARING

PART
NUMBER QNC200ARO