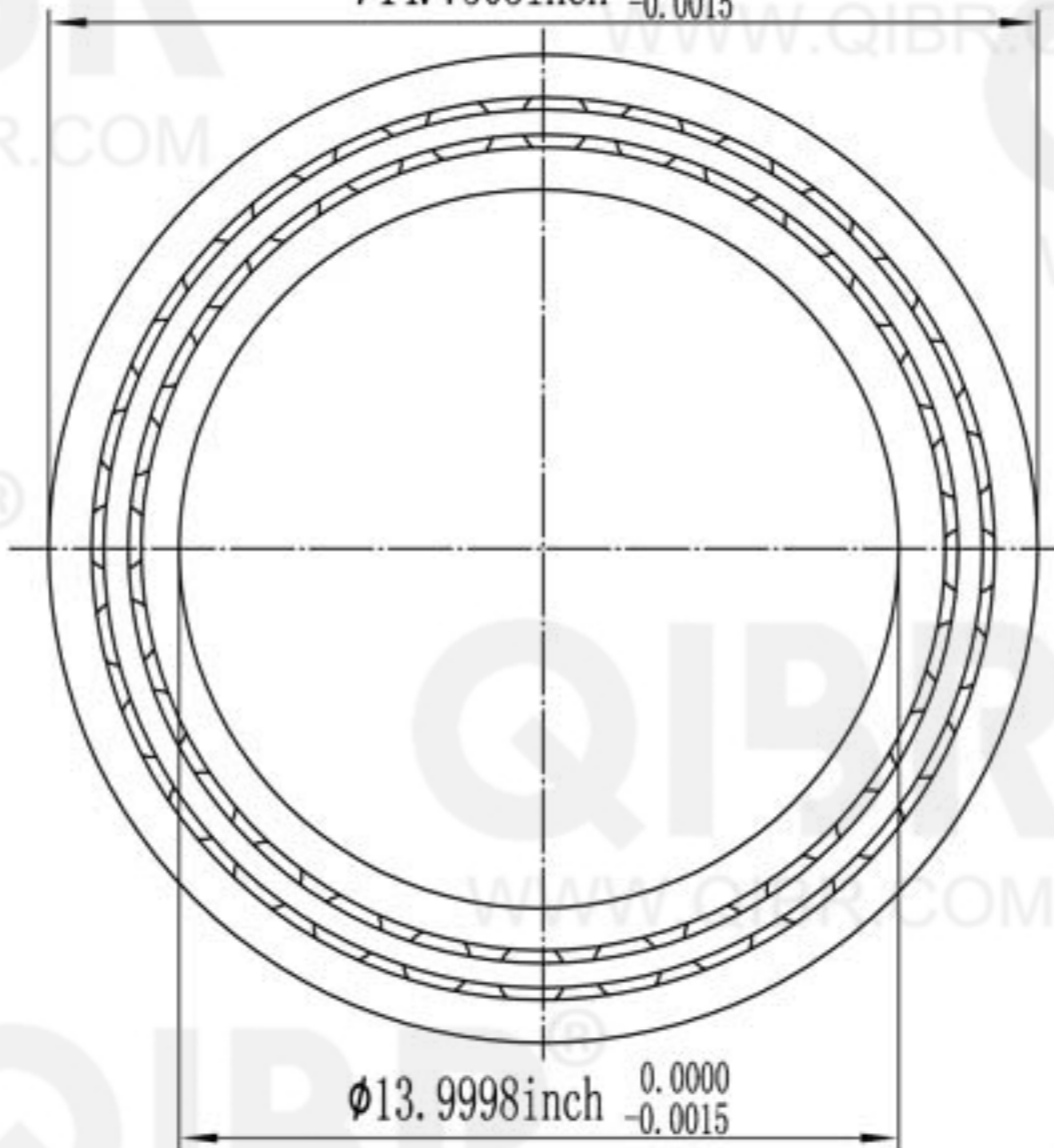


0.375inch  $\begin{matrix} +0.000 \\ -0.010 \end{matrix}$



$\phi 14.7503$ inch  $\begin{matrix} 0.0000 \\ -0.0015 \end{matrix}$



$\phi 13.9998$ inch  $\begin{matrix} 0.0000 \\ -0.0015 \end{matrix}$



**QIBR**<sup>®</sup>  
BEARINGS

LUOYANG QIBR BEARING CO., LTD

<http://www.QIBR.com>

THIN SECTION  
ANGULAR CONTACT  
BALL BEARING

PART  
NUMBER QNC140ARO