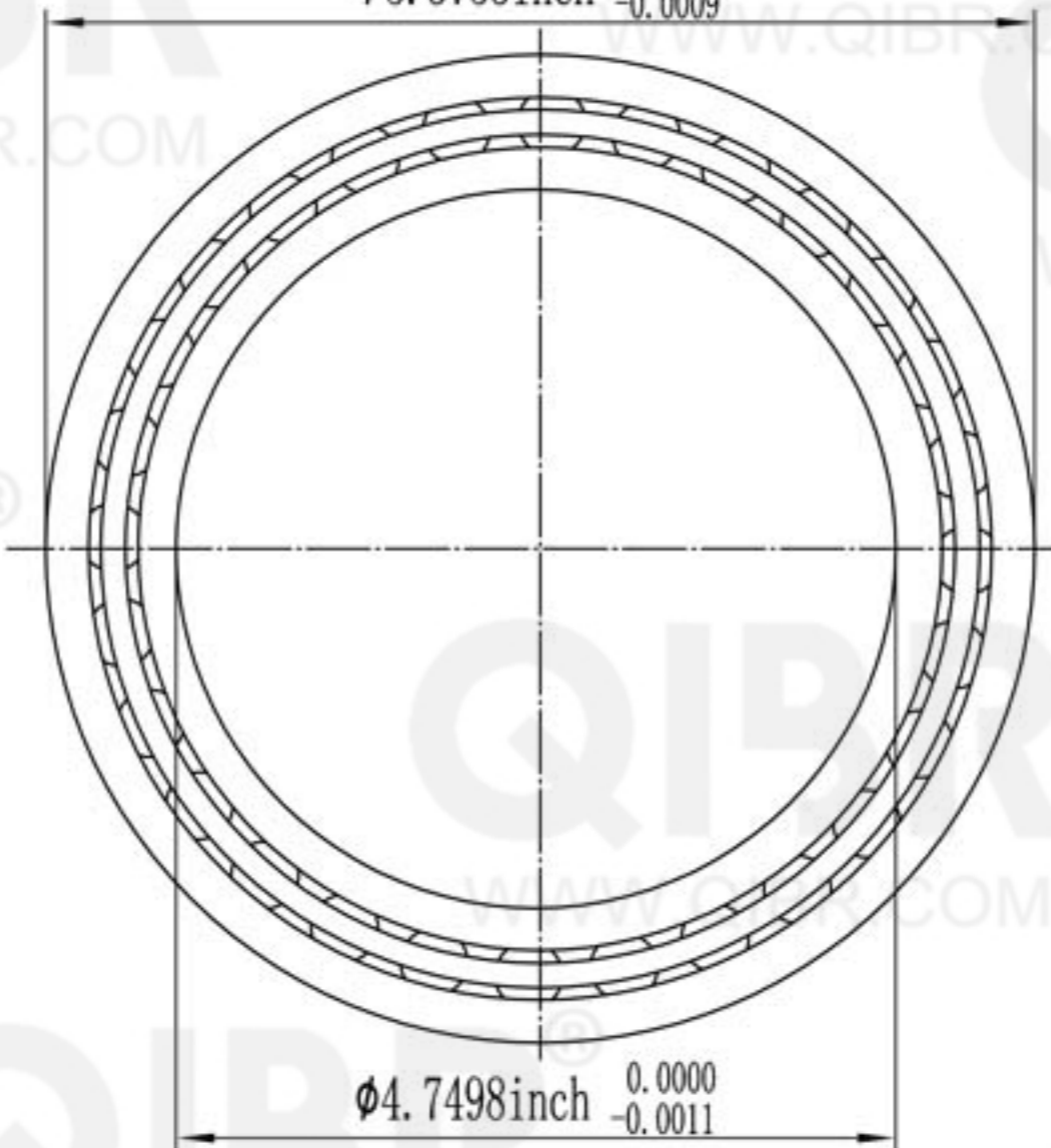


0.3125inch  $\begin{matrix} +0.000 \\ -0.005 \end{matrix}$



$\phi 5.3753$ inch  $\begin{matrix} 0.0000 \\ -0.0009 \end{matrix}$



**QIBR**<sup>®</sup>  
BEARINGS

LUOYANG QIBR BEARING CO., LTD

<http://www.QIBR.com>

THIN SECTION  
ANGULAR CONTACT  
BALL BEARING

PART  
NUMBER QNB047AR0