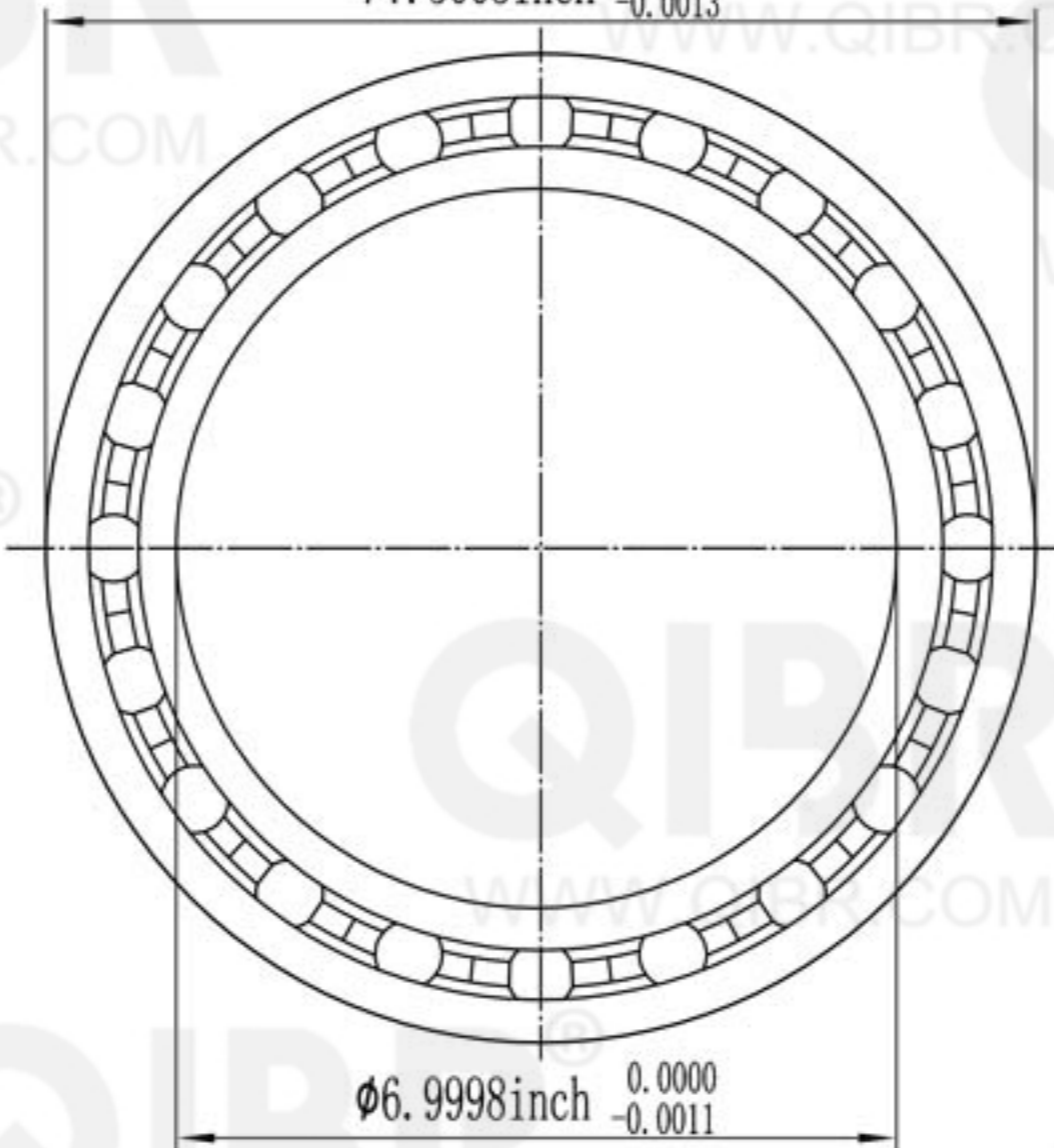


0.250inch  $\begin{matrix} 0.000 \\ -0.005 \end{matrix}$



$\phi 7.5003$ inch  $\begin{matrix} 0.0000 \\ -0.0013 \end{matrix}$



**QIBR**<sup>®</sup>  
BEARINGS

LUOYANG QIBR BEARING CO., LTD

<http://www.QIBR.com>

THIN SECTION  
FOUR-POINT CONTACT  
BALL BEARING

PART  
NUMBER QNA070XP0