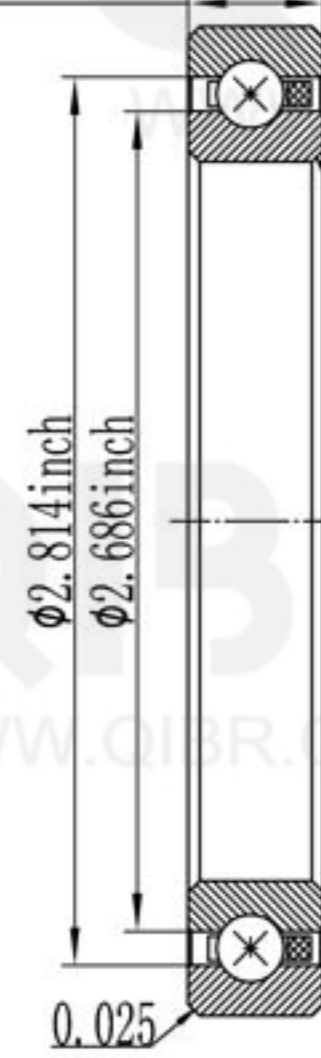
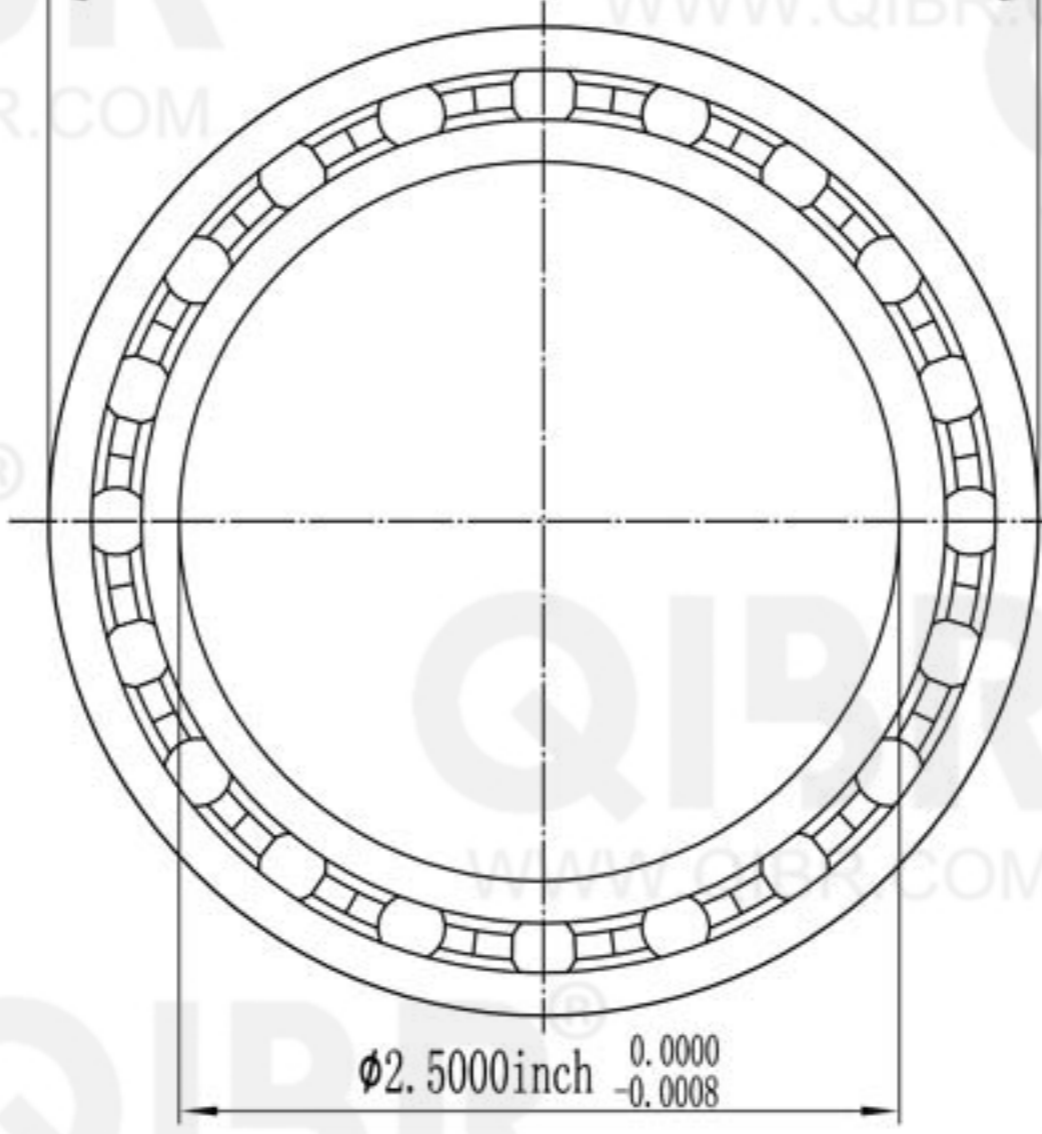


0.250inch $\begin{matrix} 0.000 \\ -0.005 \end{matrix}$



$\phi 3.0002$ inch $\begin{matrix} 0.0000 \\ -0.0007 \end{matrix}$



QIBR [®] BEARINGS	LUOYANG QIBR BEARING CO., LTD
	http://www.QIBR.com
THIN SECTION FOUR-POINT CONTACT BALL BEARING	PART NUMBER QNA025XP0