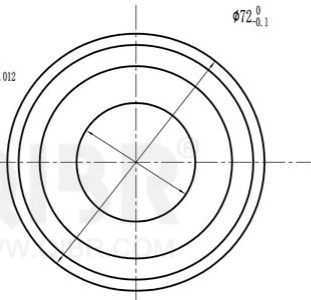


$\phi 35_{-0.012}^0$



$\phi 72_{-0.1}^0$

29 ± 0.1



$20_{-0.12}^0$

QIBR[®]
BEARINGS

LUOYANG QIBR BEARING CO., LTD
<http://www.QIBR.com>

Forklift Mast Roller

PART NUMBER

QMR35N1-72