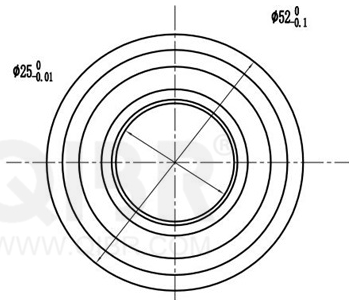
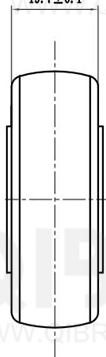


$\phi 25_{-0.01}^0$



$\phi 52_{-0.1}^0$

$19.7 \pm 0.1$



$20_{-0.12}^0$



**QIBR**<sup>®</sup>  
BEARINGS

LUOYANG QIBR BEARING CO., LTD

<http://www.QIBR.com>

Forklift Mast Roller

PART NUMBER

QMR25N2-52