

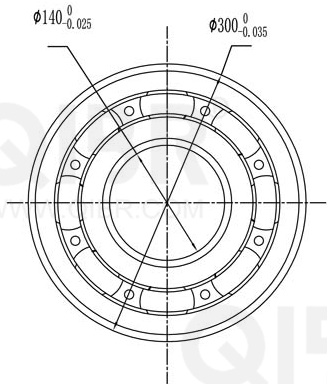
QIBR®  
WWW.QIBR.COM

QIBR®  
WWW.QIBR.COM

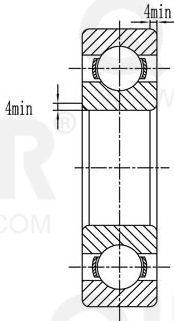


$\phi 140_{-0.025}^0$

$\phi 300_{-0.035}^0$



$62_{-0.25}^0$



LUOYANG QIBR BEARING CO., LTD  
<http://www.QIBR.com>

Deep Groove Ball Bearing

PART  
NUMBER 6328