

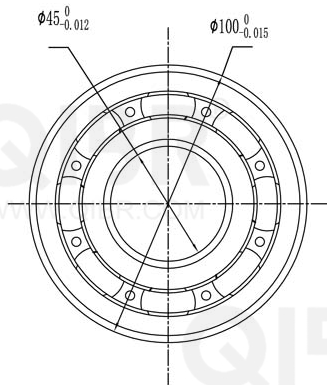
QIBR®
WWW.QIBR.COM

QIBR®
WWW.QIBR.COM



$\phi 45_{-0.012}^0$

$\phi 100_{-0.015}^0$

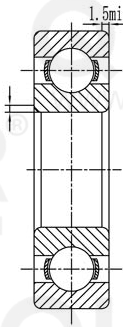


$25_{-0.12}^0$



1.5min

1.5min



LUOYANG QIBR BEARING CO., LTD
<http://www.QIBR.com>

Deep Groove Ball Bearing

PART
NUMBER 6309