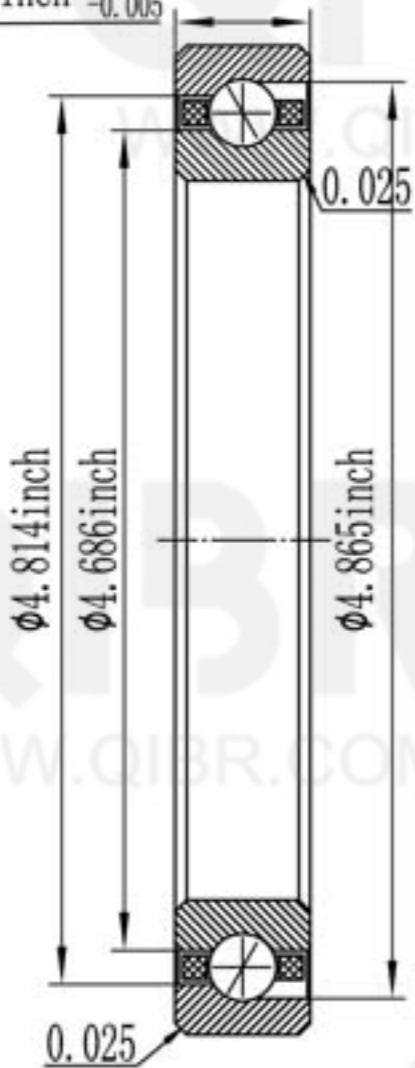
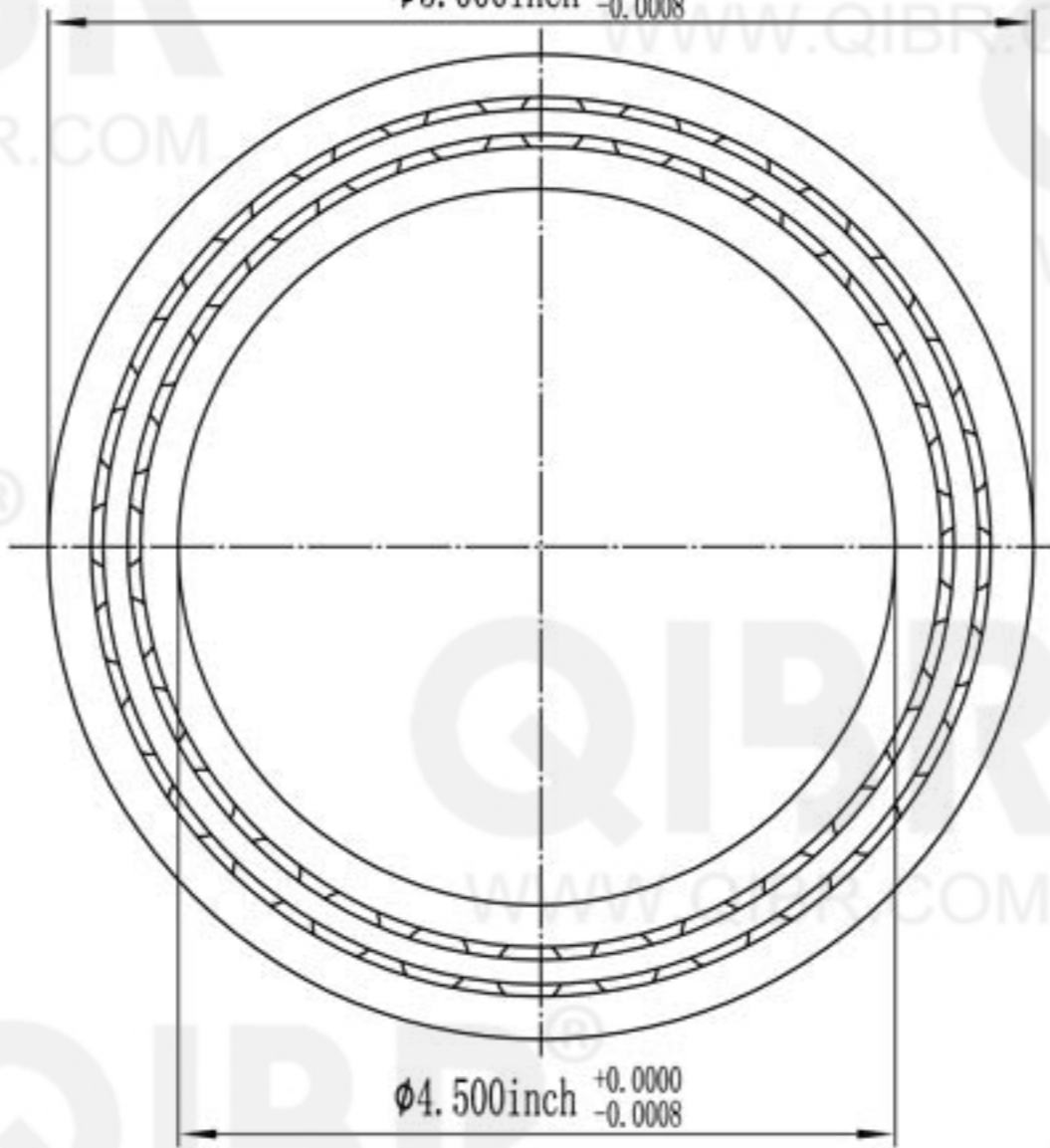


0.250inch $\begin{matrix} +0.000 \\ -0.005 \end{matrix}$



$\phi 5.000$ inch $\begin{matrix} +0.0000 \\ -0.0008 \end{matrix}$



$\phi 4.500$ inch $\begin{matrix} +0.0000 \\ -0.0008 \end{matrix}$



QIBR[®]
BEARINGS

LUOYANG QIBR BEARING CO., LTD
<http://www.QIBR.com>

THIN SECTION
ANGULAR CONTACT
BALL BEARING

PART
NUMBER QSA045ARO