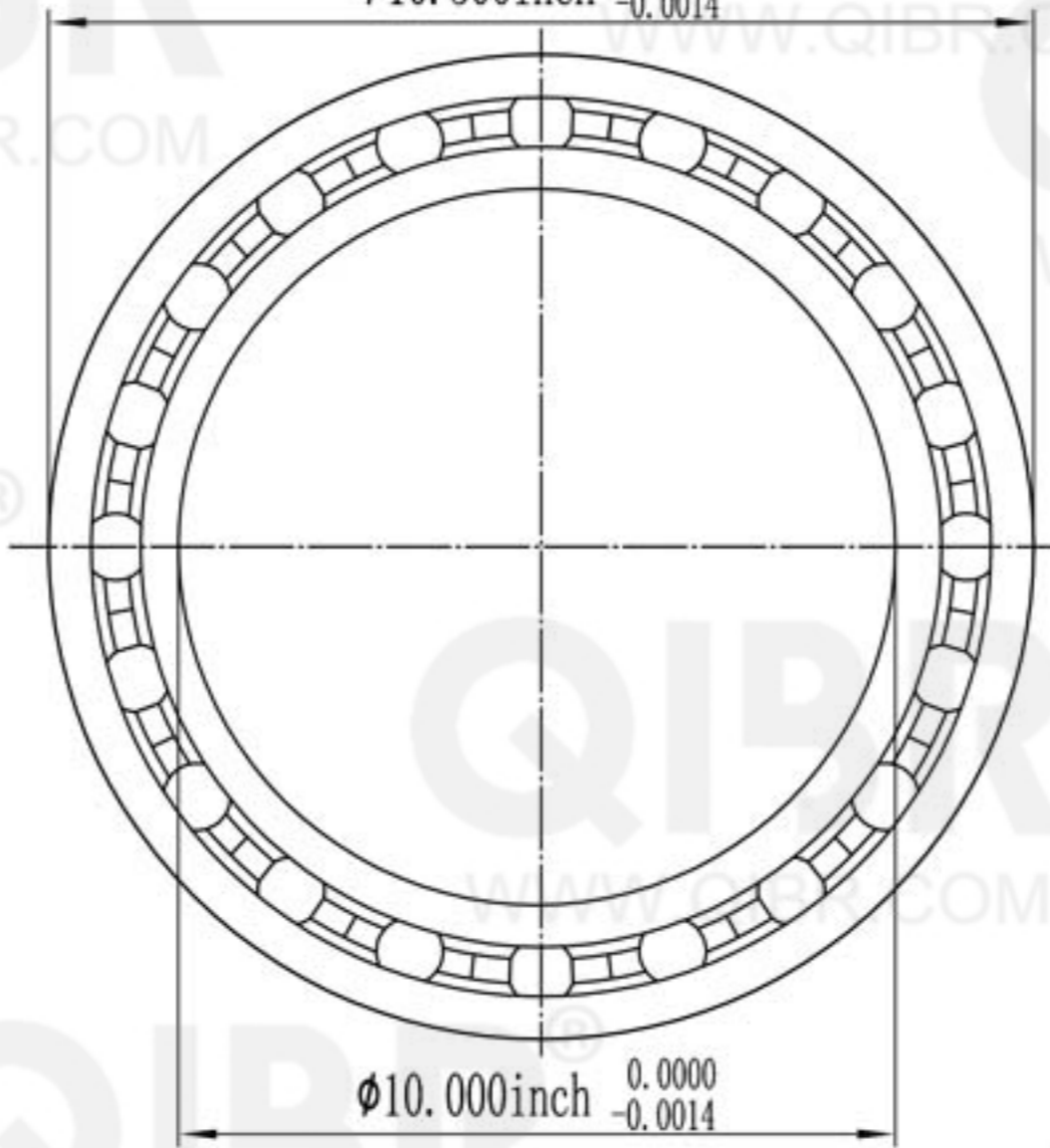


0.250inch $\begin{matrix} 0.000 \\ -0.005 \end{matrix}$



$\phi 10.500$ inch $\begin{matrix} 0.0000 \\ -0.0014 \end{matrix}$



QIBR[®]
BEARINGS

LUOYANG QIBR BEARING CO., LTD
<http://www.QIBR.com>

THIN SECTION
FOUR-POINT CONTACT
BALL BEARING

PART
NUMBER QSA100XP0