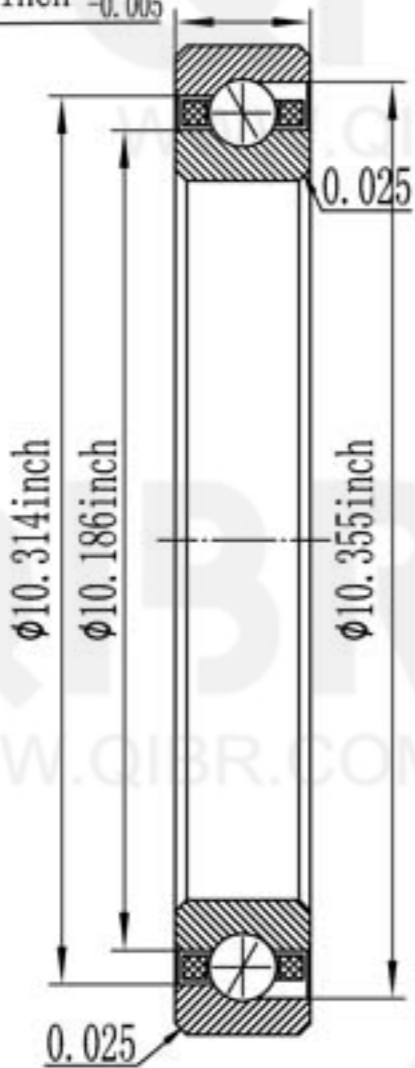
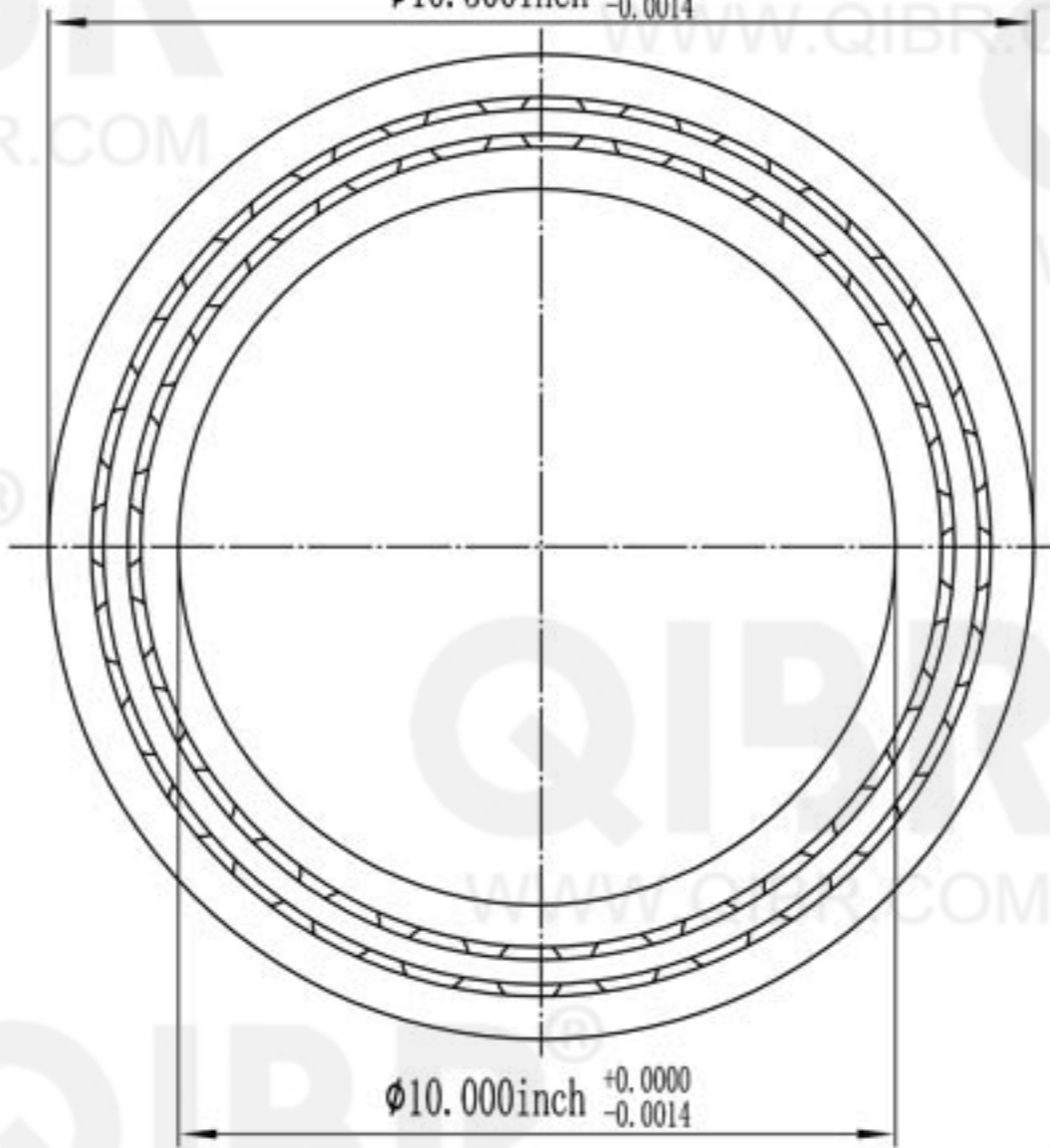


0.250inch  $\begin{matrix} +0.000 \\ -0.005 \end{matrix}$



$\phi 10.500$ inch  $\begin{matrix} +0.0000 \\ -0.0014 \end{matrix}$



$\phi 10.000$ inch  $\begin{matrix} +0.0000 \\ -0.0014 \end{matrix}$



**QIBR**<sup>®</sup>  
BEARINGS

LUOYANG QIBR BEARING CO., LTD  
<http://www.QIBR.com>

THIN SECTION  
ANGULAR CONTACT  
BALL BEARING

PART  
NUMBER QSA100ARO