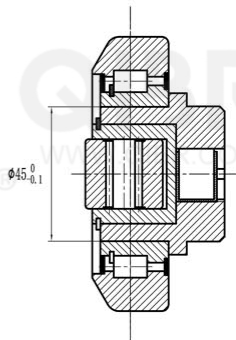
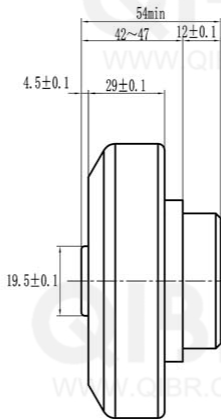
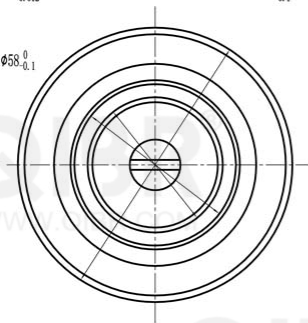


$\phi 42_{-0.012}^0$

$\phi 88.7_{-0.1}^0$

$\phi 58_{-0.1}^0$



QIBR[®]
BEARINGS

LUOYANG QIBR BEARING CO., LTD

<http://www.QIBR.com>

Forklift Combined Bearing

PART NUMBER

QRA88.7-1S