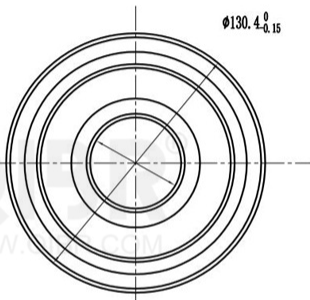
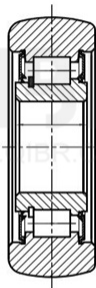


$\phi 65_{-0.015}^0$



$\phi 130.4_{-0.15}^0$

29 ± 0.12



$25_{-0.15}^0$

QIBR[®]
BEARINGS

LUOYANG QIBR BEARING CO., LTD

<http://www.QIBR.com>

Forklift Mast Roller

PART NUMBER

QMR65RR2-130