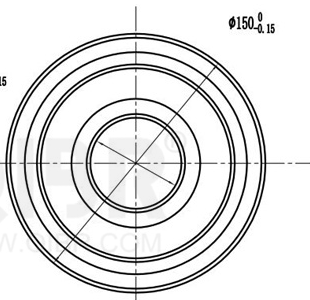
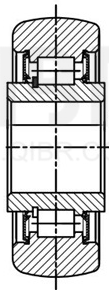
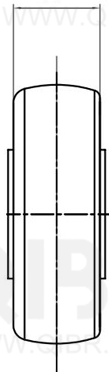


$\phi 60_{-0.015}^0$



$\phi 150_{-0.15}^0$

73 ± 0.12



$75_{-0.15}^0$

QIBR[®]
BEARINGS

LUOYANG QIBR BEARING CO., LTD

<http://www.QIBR.com>

Forklift Mast Roller

PART NUMBER

QMR60RR2-150