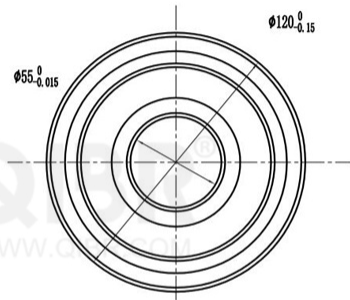
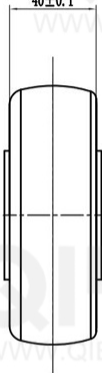


$\phi 55_{-0.015}^0$



$\phi 120_{-0.15}^0$

$40 \pm 0.1$



$43_{-0.15}^0$

**QIBR**<sup>®</sup>  
BEARINGS

LUOYANG QIBR BEARING CO., LTD

<http://www.QIBR.com>

Forklift Mast Roller

PART NUMBER

QMR55RR2-120