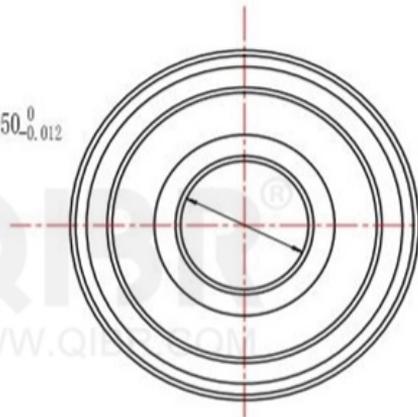
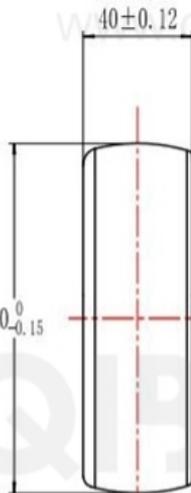


$\phi 50_{-0.012}^0$

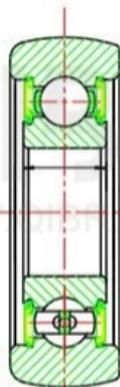


$40 \pm 0.12$

$\phi 130_{-0.15}^0$



$27_{-0.12}^0$



**QIBR**<sup>®</sup>  
WWW.QIBR.COM

**QIBR**<sup>®</sup>  
BEARINGS

LUOYANG QIBR BEARING CO., LTD  
<http://www.QIBR.com>

Forklift Mast Roller

PART NUMBER

QMR50R2-130