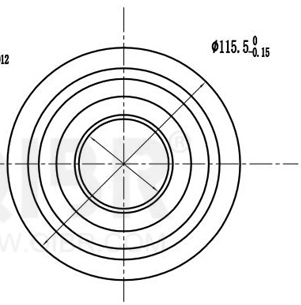


QIBR[®]
WWW.QIBR.COM

$\phi 45_{-0.012}^0$

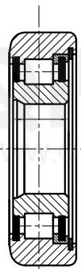


$\phi 115.5_{-0.15}^0$

34 ± 0.1



$33.5_{-0.12}^0$



QIBR[®]
WWW.QIBR.COM

QIBR[®]
BEARINGS

LUOYANG QIBR BEARING CO., LTD

<http://www.QIBR.com>

Forklift Mast Roller

PART NUMBER

QMR45RR5-115