

QIBR[®]

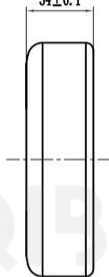
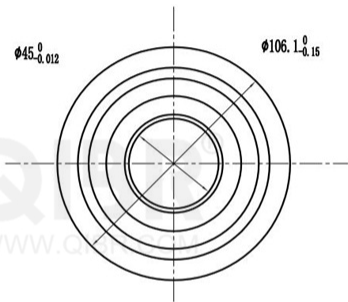
WWW.QIBR.COM

$\phi 45.0_{-0.012}^0$

$\phi 106.1_{-0.15}^0$

34 ± 0.1

$33.5_{-0.12}^0$



QIBR[®]
WWW.QIBR.COM

QIBR[®]
BEARINGS

LUOYANG QIBR BEARING CO., LTD
<http://www.QIBR.com>

Forklift Mast Roller

PART NUMBER
QMR45RR5-106