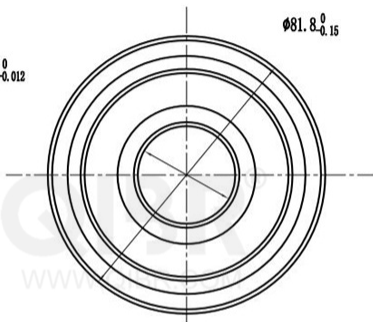
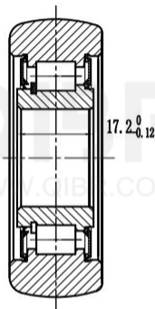


$\phi 45_{-0.012}^0$



$\phi 81.8_{-0.15}^0$



QIBR[®]
BEARINGS

LUOYANG QIBR BEARING CO., LTD

<http://www.QIBR.com>

Forklift Mast Roller

PART NUMBER

QMR45RR2-81a