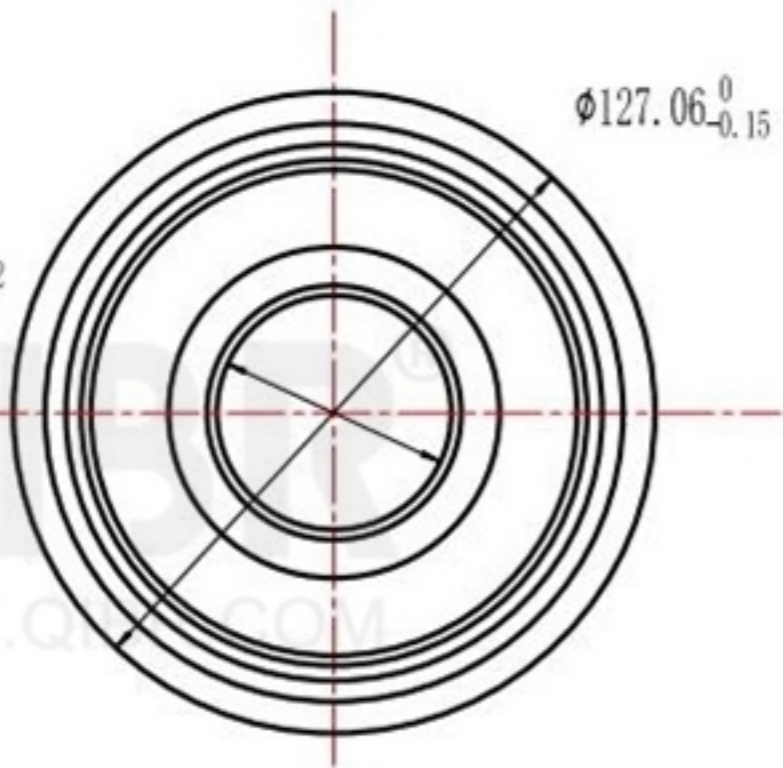


$\phi 45_{-0.012}^0$



$\phi 127.06_{-0.15}^0$

31.75 ± 0.12



$25_{-0.12}^0$

QIBR
BEARINGS

LUOYANG QIBR BEARING CO., LTD

<http://www.QIBR.com>

Forklift Mast Roller

PART NUMBER

QMR45R7-127