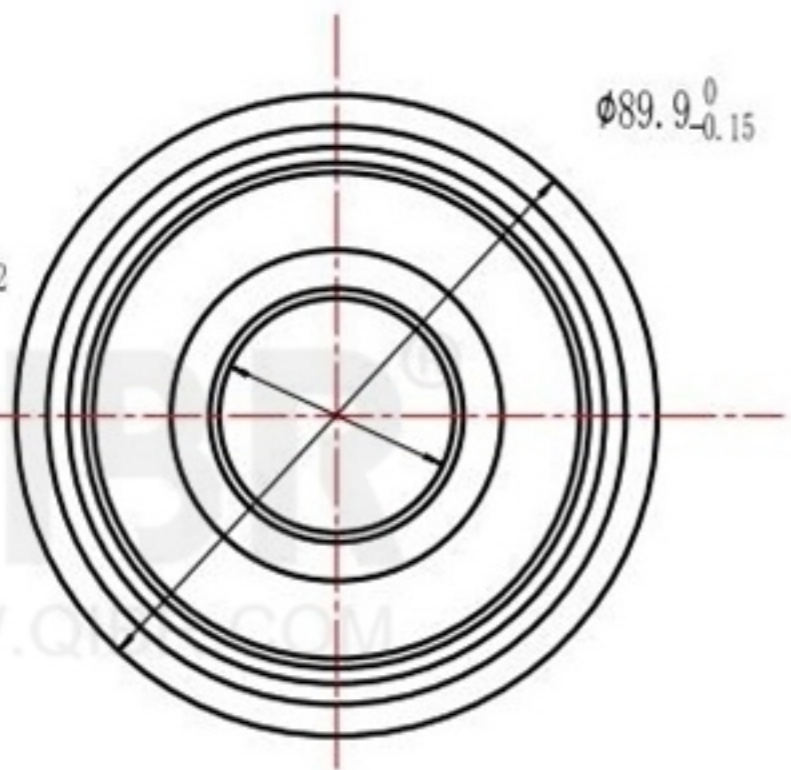
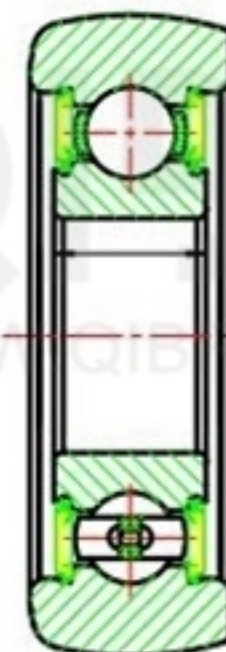
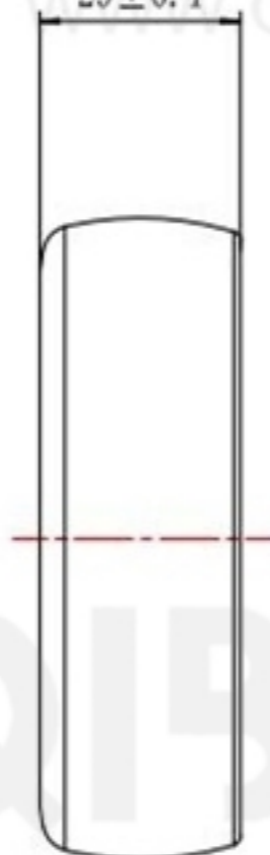


$\phi 40_{-0.012}^0$



$\phi 89.9_{-0.15}^0$

29 ± 0.1



$23.8_{-0.12}^0$

QIBR[®]
BEARINGS

LUOYANG QIBR BEARING CO., LTD

<http://www.QIBR.com>

Forklift Mast Roller

PART NUMBER

QMR40R7-89