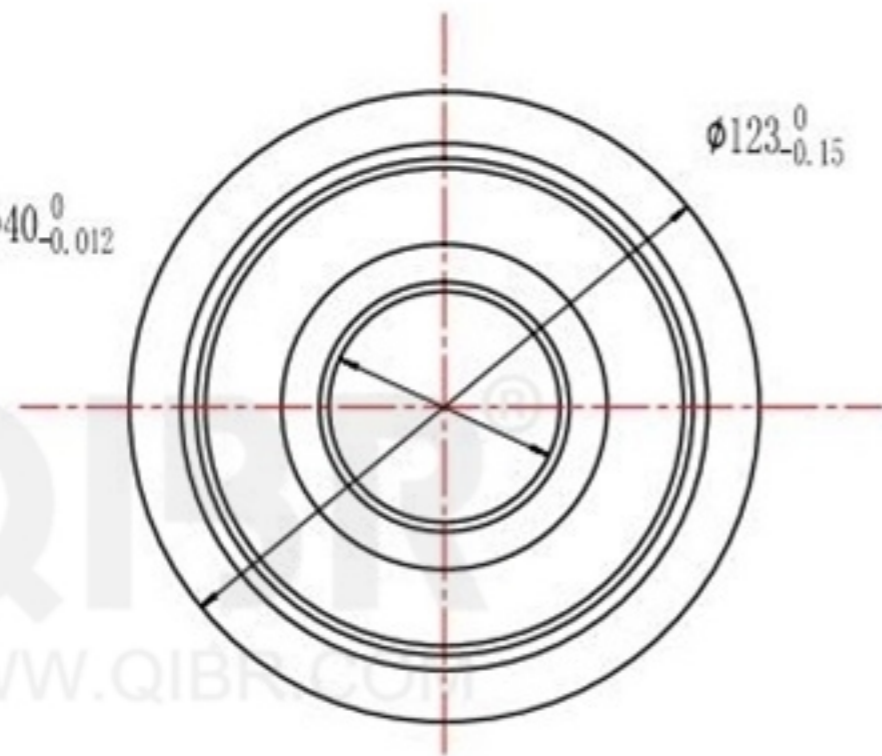


$\phi 40_{-0.012}^0$



$\phi 123_{-0.15}^0$

$33.5 \pm 0.12$



$23_{-0.12}^0$

**QIBR**  
BEARINGS

LUOYANG QIBR BEARING CO., LTD  
<http://www.QIBR.com>

Forklift Mast Roller

PART NUMBER  
QMR40R6-123