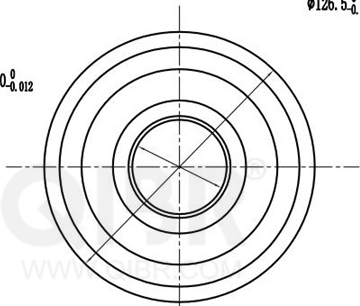
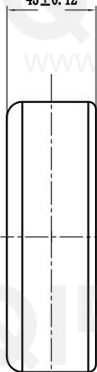


$\phi 40_{-0.012}^0$



$\phi 126.5_{-0.15}^0$

$43 \pm 0.12$



$30_{-0.12}^0$

**QIBR**<sup>®</sup>  
BEARINGS

LUOYANG QIBR BEARING CO., LTD

<http://www.QIBR.com>

Forklift Mast Roller

PART NUMBER  
QMR40EB2-126